

C. ELECTRIC DIAGRAM AND PARTS LIST

CONTENTS

1. FOR 1545/2045M	P. C-1
2. FOR 1545/2045/2550H.....	P. C-2
3. FOR 1545/2045/2550/3060AH(R)	P. C-3
4. FOR D2550/D3060/D4080AH(R).....	P. C-4
5. FOR DL2550/DL3060/DL4080AH(R).....	P. C-5

D TYPE:

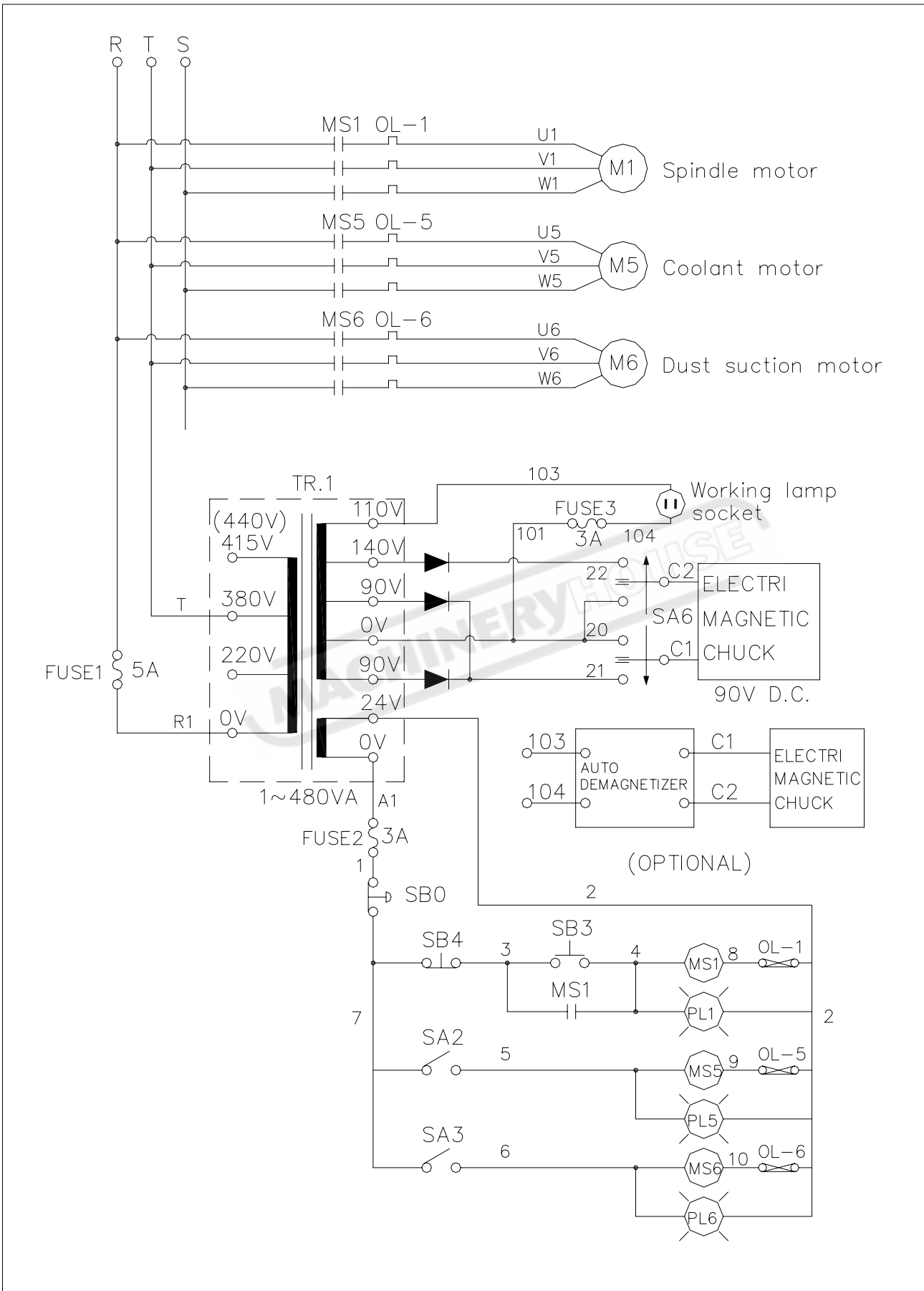
1. Table longitudinal travel by sensor & solenoid valve.
2. Continuous lubrication.

DL TYPE:

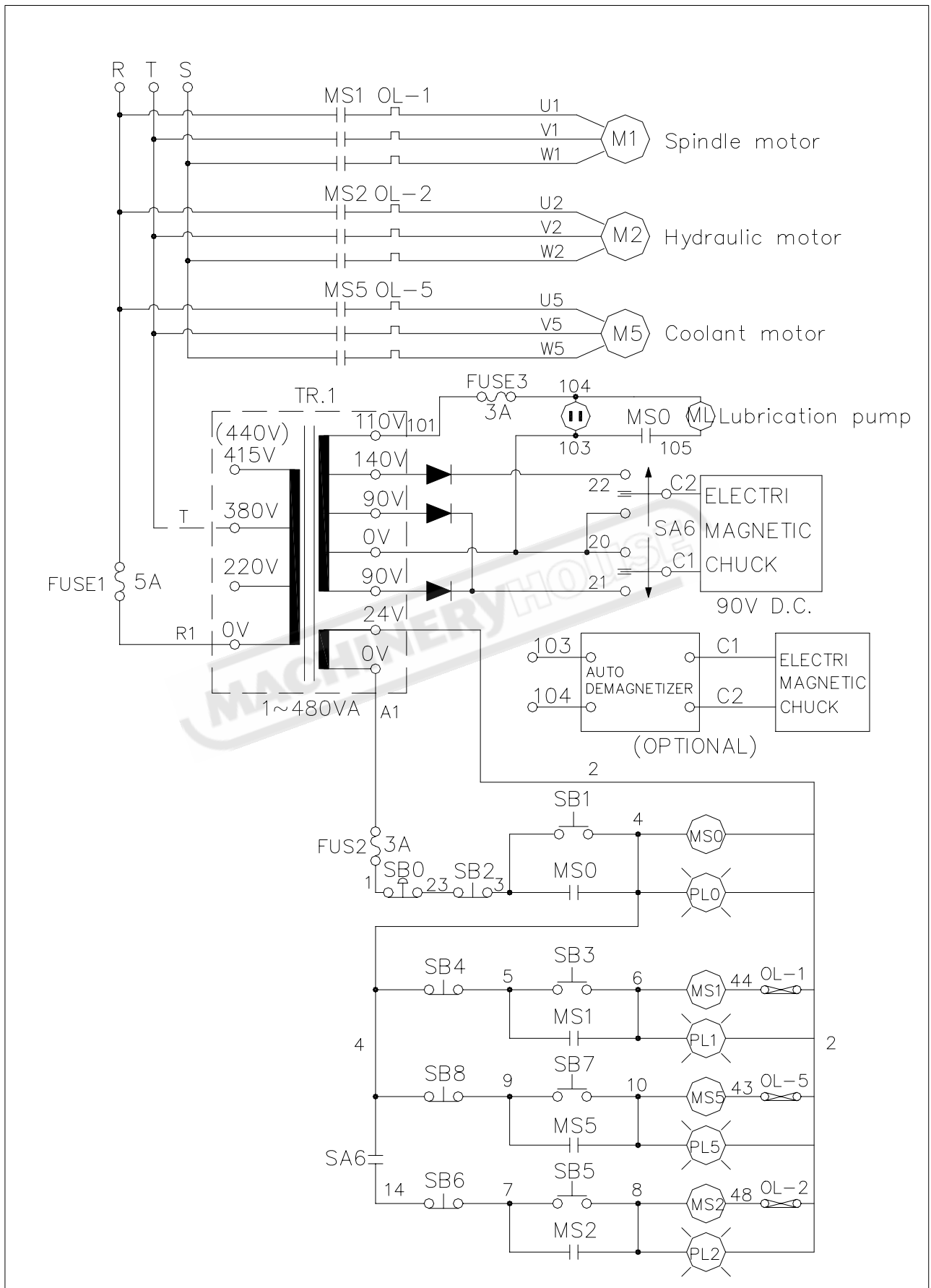
1. Table longitudinal travel by sensor & solenoid valve.
2. Auto. crossing stroke adjustment by control panel switch.
3. Back water splash shield.
4. Continuous lubrication.

MACHINERYHOUSE

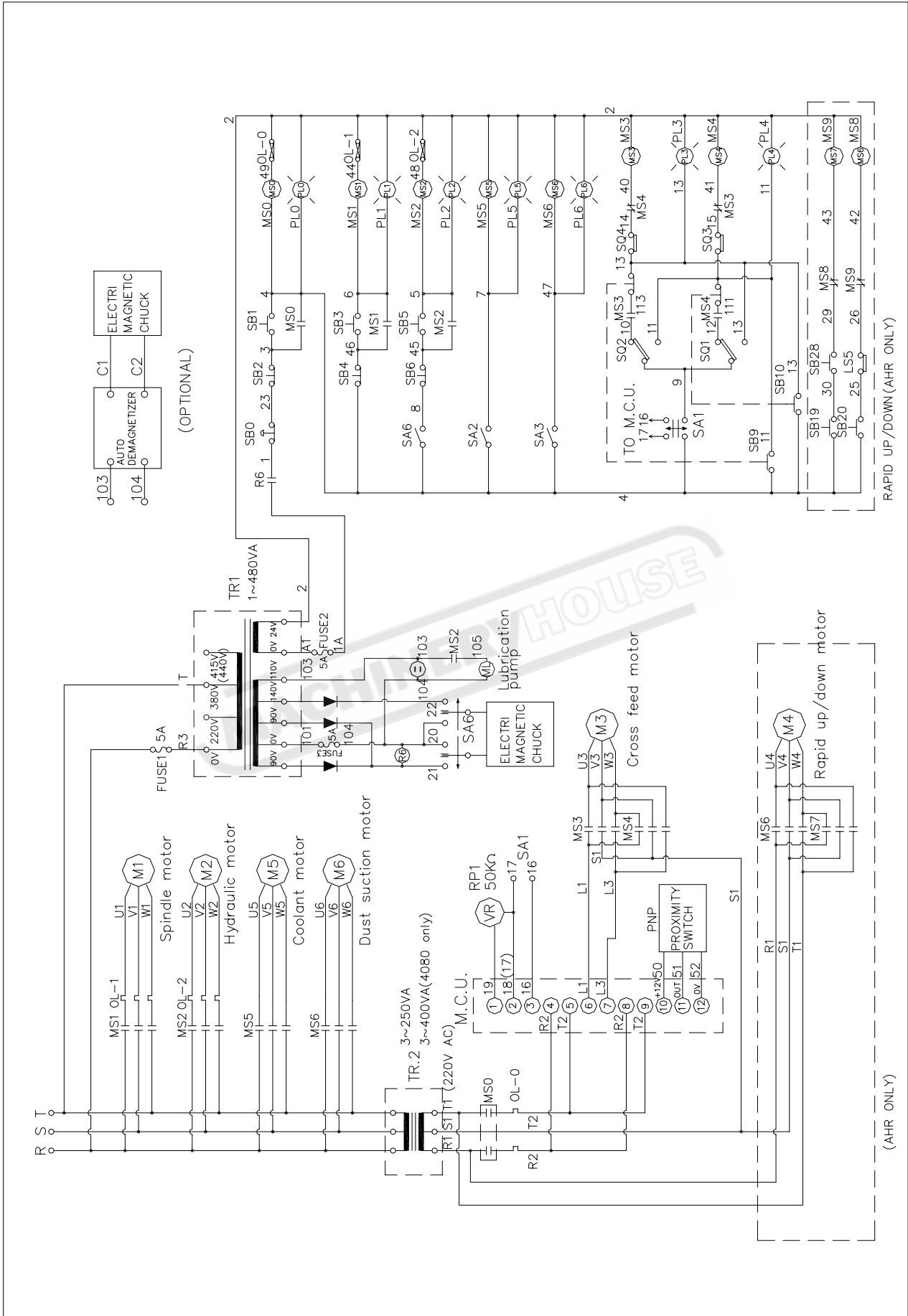
FOR 1545M/2045M



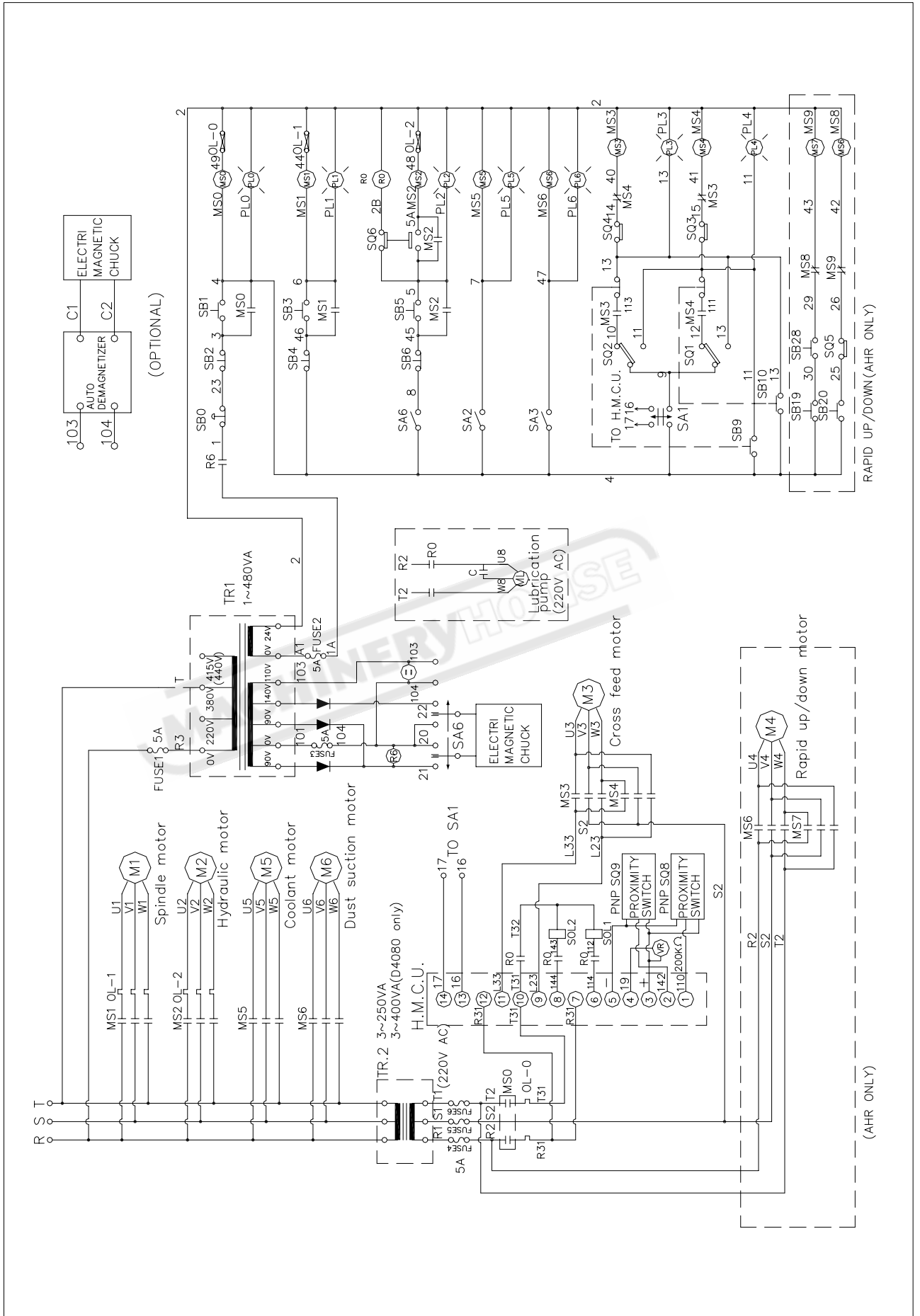
FOR 1545H/2045H/2550H



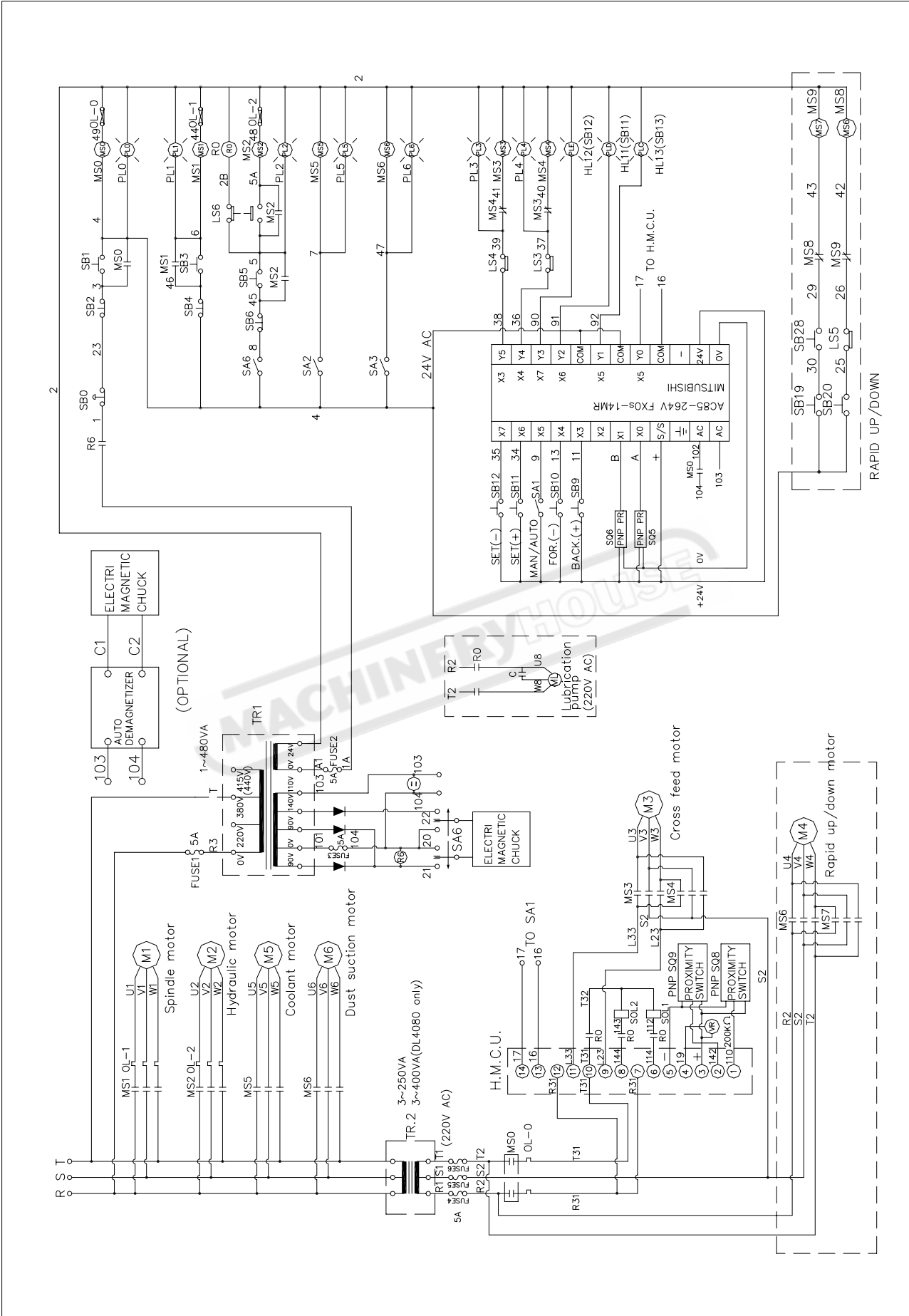
FOR 1545AH(R)/2045AH(R)/2550AH(R)/3060AH(R)



FOR D2550AH(R)/D3060AH(R)/D4080AH(R)



FOR DL2550AH(R)/DL3060AH(R)/DL4080AH(R)

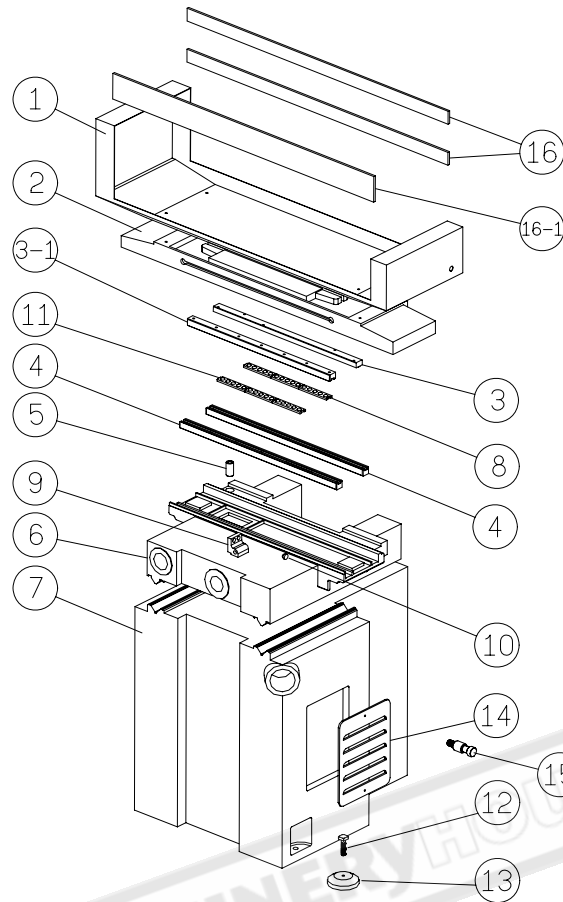


D. COMPLETE DRAWING AND PARTS LIST

CONTENTS

1. Base 、 Saddle 、 Table Ass'y (For 1545/2045M)	D-2
2. Base 、 Saddle 、 Table Ass'y (For 1545/2045H 、 AH)	D-3
3. Base 、 Saddle 、 Table Ass'y (For 2550H 、 AH /C3060AH/D4080AH) .	D-4
4. Column Ass'y	D-6
5. Spindle Ass'y	D-8
6. Vertical Ass'y	D-10
7. Cross Feed Ass'y (For 1545/2045M 、 H/2550H)	D-12
8. Cross Feed Ass'y.....	D-14
9. Longitudinal Hand Feed Ass'y (For 1545/2045M).....	D-16
10. Longitudinal Hand Feed Ass'y	D-18
11. Cylinder Ass'y	D-20
12. Valve Ass'y (For 1545/2045/2550/C3060H 、 AH)	D-22
13. Valve Ass'y (For D3060/D4080)	D-24
14. Dust Suction With Coolant System Ass'y (Optional Accessory)	D-26
15. Auto Down Feed Ass'y (Optional Accessory)	D-28
16. Micro feed for vertical Ass'y (Optional Accessory).....	D-30
17. Power rapid for vertical Ass'y (Optional Accessory)	D-32
18. Power rapid with Micro feed for vertical Ass'y (Optional Accessory)	D-34
19. M 、 H Micro cross feed Ass'y (Optional Accessory)	D-36
20. AH Micro cross feed Ass'y (Optional Accessory).....	D-38

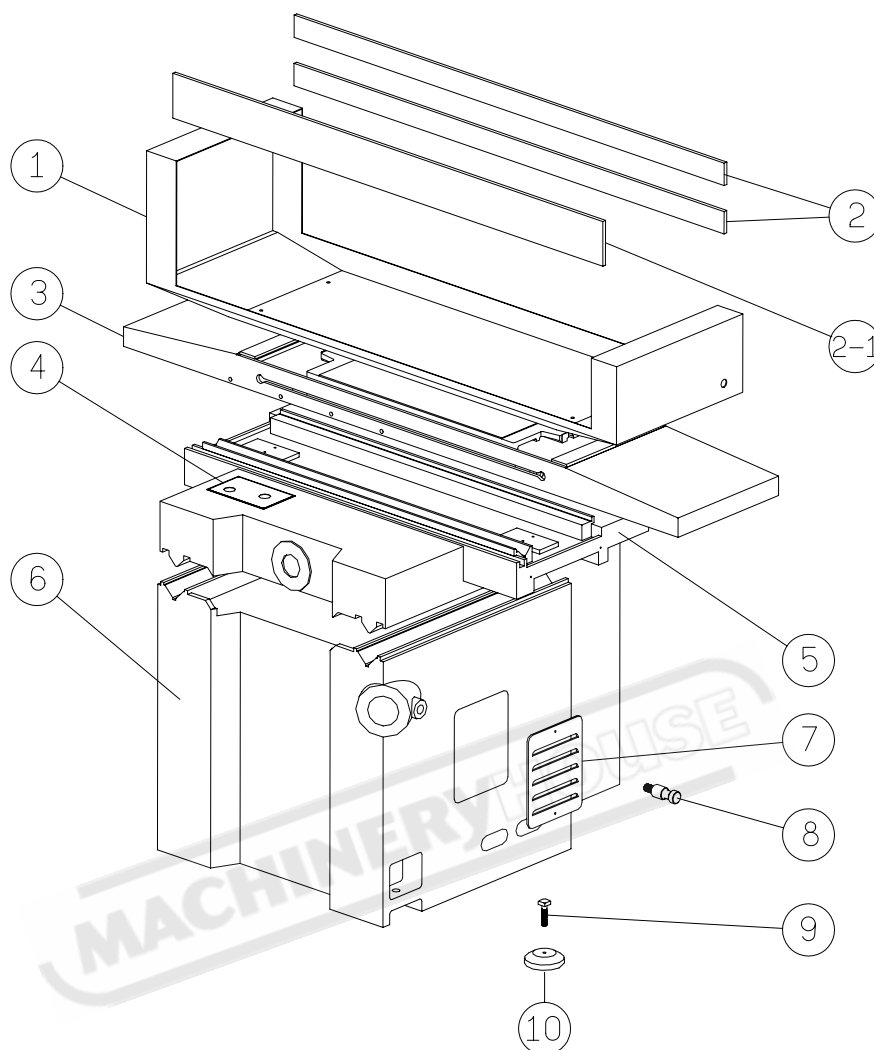
1. Base 、 Saddle 、 Table Assembly Drawing (FOR 1545/2045M)



◎ Base 、 Saddle 、 Table Assembly Parts List (FOR 1545/2045M)

NO	Parts No.		Parts Name	Q
	1545M	2045M		
1	C15310	C20310	Table splash shield	1
2	C15103-M	C20103-M	Table	1
3	C15302	C15302	Slide way	1
3-1	C15303	C15303	Slide way	1
4	C15301	C15301	Slide way	2
5	251305	251305	Ball retainer stopper	4
6	C15102-M	C15102-M	Saddle	1
7	C15101	C15101	Base	1
8	B-5/8"	B-5/8"	Steel ball	44
9	251341	251341	Rubber cushion	1
10	251342	251342	Stopper	2
11	251304	251304	Steel ball retainer	9
12	910202	910202	Leveling screw	3
13	910204	910204	Pad	3
14	251112	251112	Side cover	2
15	910205	910205	Lifting blot	4
16	C15316	C15316	Table splash plate	2
16-1	C15315	C15315	Table splash plate	1

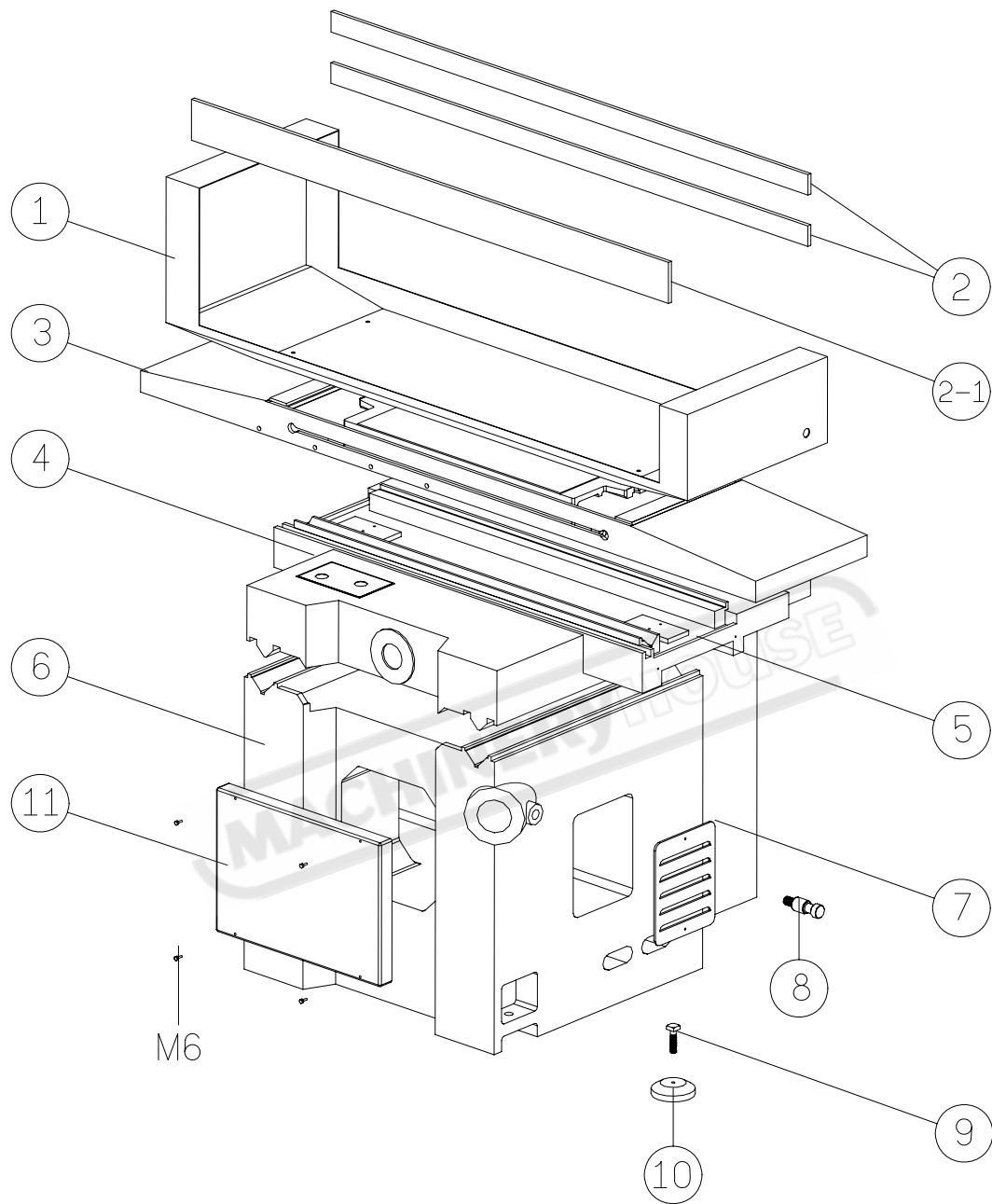
2. Base 、 Saddle 、 Table Assembly Drawing (FOR 1545/2045H 、 AH)



◎ Base 、 Saddle 、 Table Assembly Parts List (FOR 1545/2045H 、 AH)

NO	Parts No.		Parts Name	Q
	1545	2045		
1	C15314	C20314	Table splash shield	1
2	C15316	C15316	Table splash plate	2
2-1	C15315	C15315	Table splash plate	1
3	C15103-H	C15103-H	Table	1
4	PH-201	PH-201	Hydraulic indicator plate	1
5	C15102-H	C15102-H	Saddle	1
6	C15101	C15101	Base	1
7	251112	251112	Side cover	2
8	910205	910205	Lifting blot	4
9	910202	910202	Leveling screw	3
10	910204	910204	Pad	3

3. Base 、 Saddle 、 Table Assembly Drawing (FOR 2550H 、 AH/C3060AH/D4080AH)

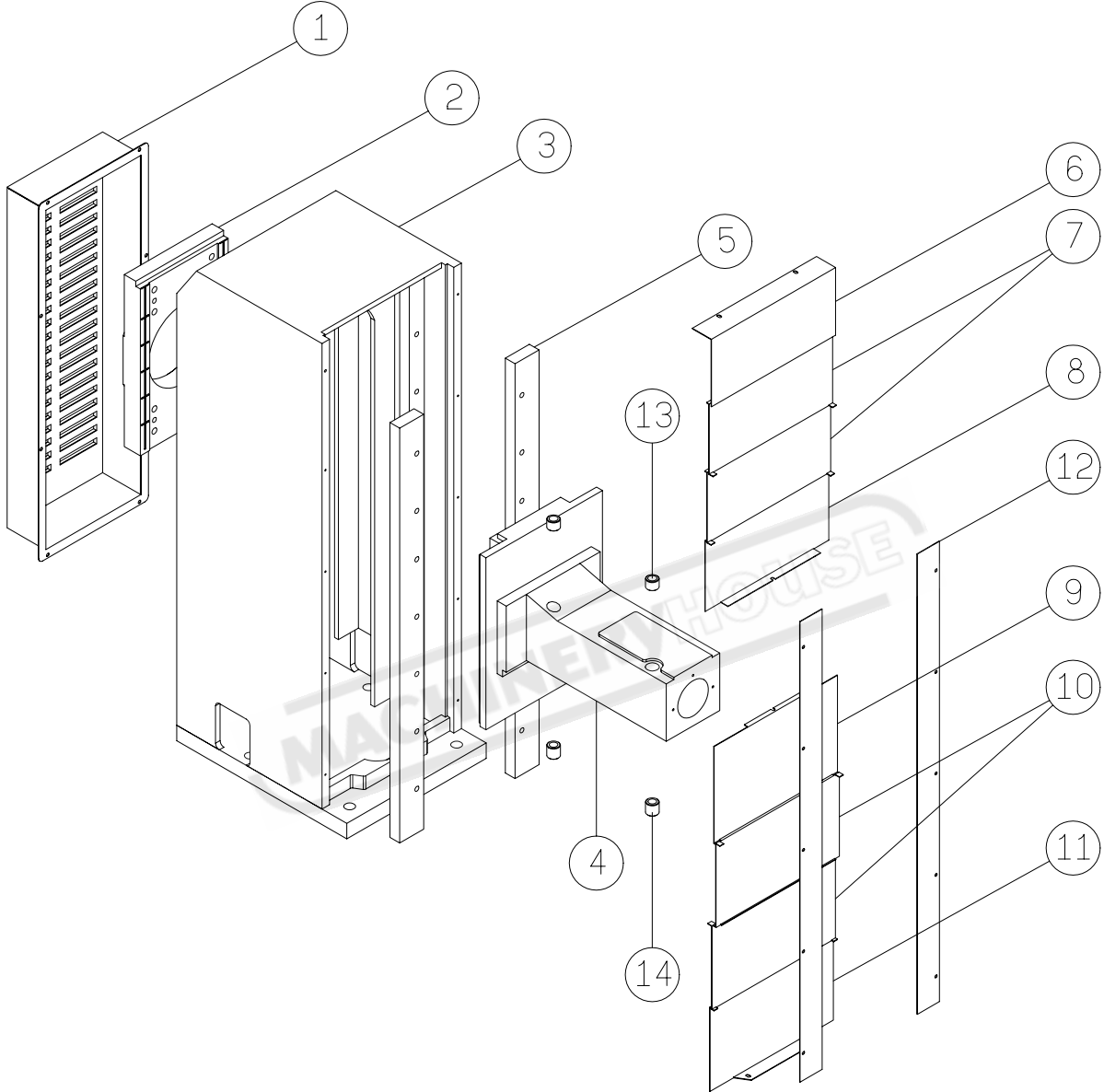


◎ Base 、 Saddle 、 Table Assembly Parts List
 (FOR 2550/C3060/D4080H 、 AH)

NO	Parts No.			Parts Name	Q
	2550	C3060	D4080		
1	C25314	C36314	D40314	Table splash shield	1
2	C25316	C36316	D40316	Table splash plate	2
2-1	C25315	C36315	D40315	Table splash plate	1
3	C25103	C36103	D40103	Table	1
4	PH-201	PH-201	PH-201	Hydraulic indicator plate	1
5	C25102	C36102	D40102	Saddle	1
6	C25101	C36101	D40101	Base	1
7	251112	251112	251112	Side cover	2
8	910205	910205	910205	Lifting blot	4
9	910202	910202	910202	Leveling screw	3
10	910204	910204	910204	Pad	3(5)
11	C36107	C36107	C36107	Machine front cover	1

MACHINERYHOUSE

4. Column Assembly Drawing (FOR 1545/2045/2550/C3060/D4080)

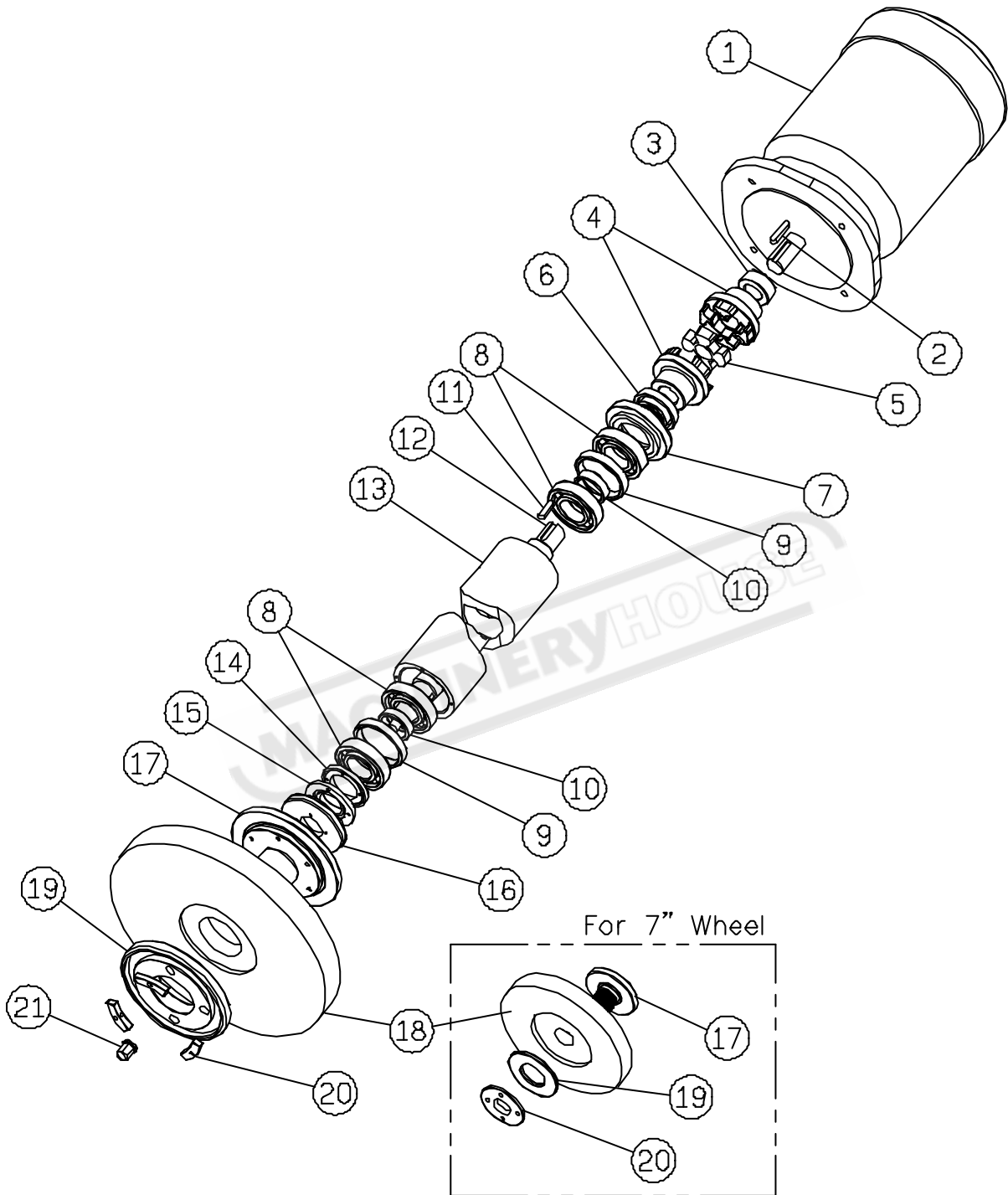


© Column Assembly Parts List
(FOR 1545/2045/2550/C3060/D4080)

NO	Parts No.				Parts Name	Q
	1545 2045	2550	C3060	D4080		
1	C15419	301419	301419	D40419	Back cover of column	1
2	201412	C25412	301412	D40412	Motor bracket	1
3	C15104	C36104	C36104	D40104	Column	1
4	C15411 C20411	C25411	C36411	D40411	Spindle head	1
5	C15416PR	301416PR	301416PR	D40416PR	Vertical guide rail	2
6	C15425	C36425	C36425	D40421	Shield dust	1
7	C15426	C36426	C36426	D40422~23	Shield dust	2(3)
8	C15427	C36427	C36427	D40424	Shield dust	1
9	C15428	C36428	C36428	D40441	Shield dust	1
10	C15429	C36429	C36429	D40442~43	Shield dust	2(3)
11	C15430	C36430	C36430	D40444	Shield dust	1
12	C15424	C36424	C36424	D40415	Shield guide	2
13	C15414	251414	251414	251414	Under copper collar	2
14	C15413	251413	251413	251413	Below copper collar	2

MACHINERYHOUSE

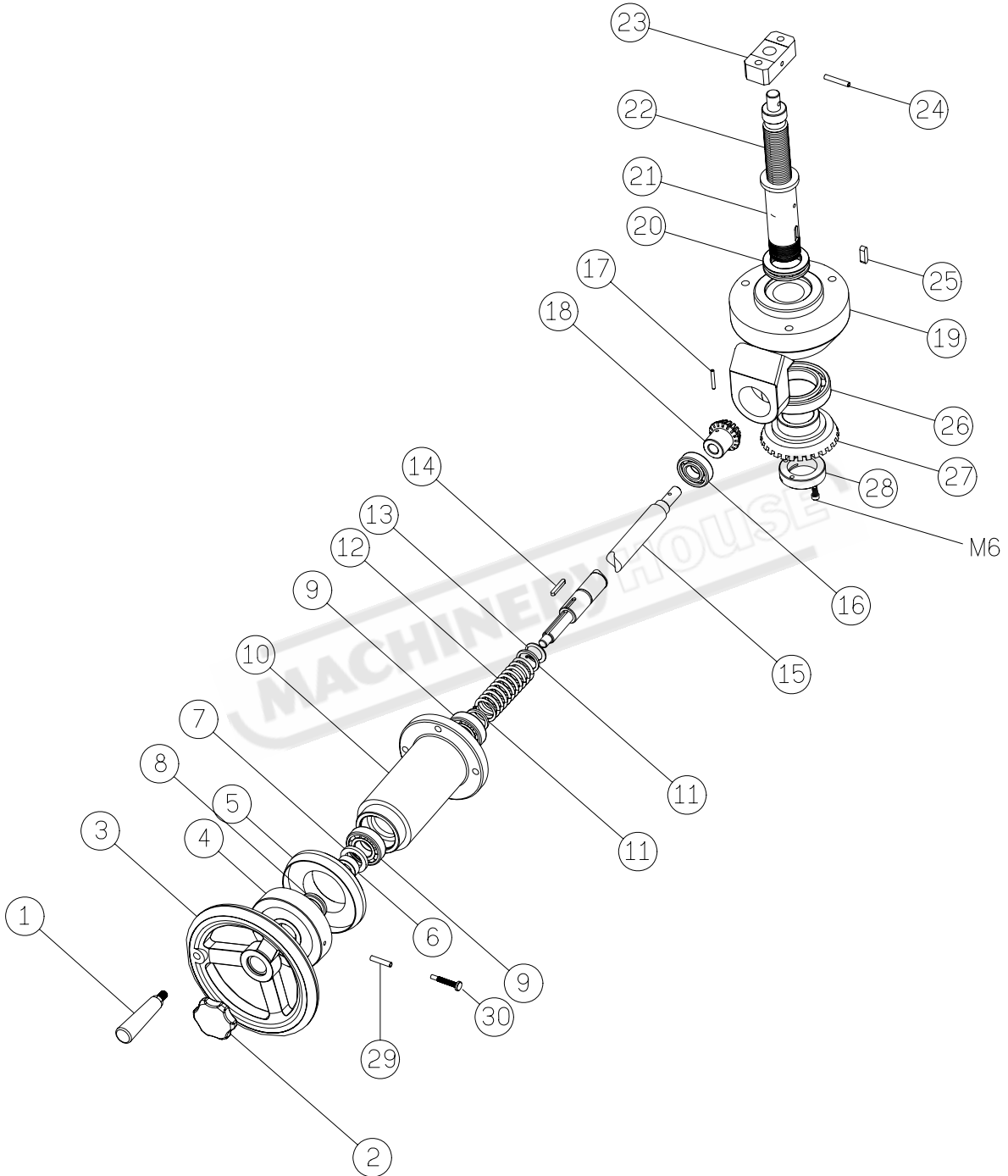
5. Spindle Assembly Drawing (FOR 1545/2045/2550/3060/D4080)



Spindle Assembly Parts List
(FOR 1545/2045/2550/3060/D4080)

NO	Parts No.				Parts Name	Q
	1545 2045	2550	3060	D4080		
1	V-2HP-2P	V-2HP-2P	V-5HP-4P	V-5HP-4P	Spindle motor	1
2	K-P-8×7	K-P-8×7	K-P-8×7	K-P-8×7	Key	1
3	-	-	401502	401502	Washer	1
4	251511PR	C25511PR	301511PR	401511PR	Coupling	2
5	251513	251513	MT85-U	MT85-U	Rubber coupling	1
6	201510	C25510	C36510	D40510	Inner locking nut	1
7	201509	C25509	C36509	D40509	Outer locking nut	1
8	7206B	7206B	7208B	7209B	Angular contact bearing	4
9	201507	C25507	C36507	D40507	Spacer inner	2
10	201506	C25506	C36506	D40506	Spacer outer	2
11	K-P-8×7	K-P-8×7	K-P-8×7	K-P-8×7	Key	1
12	201502	C25502	C36502	D40502	Spindle shaft	1
13	201501	C25501	C36501	D40501	Spindle housing	1
14	201505	C25505	C36505	D40505	Outer locking nut	1
15	201504	C25504	C36504	D40504	Inner locking nut	1
16	201508	C25508	C36508	D40508	Spindle dust	1
17	910302A	910302A	910303A	910305	Wheel flange	1
18	WA46K	WA46K	WA46K	WA46K	Wheel	1
19	910302B	910302B	910303B	910304B	Wheel locking of flange	1
20	-	-	910303C	910303C	Flange balancing block	3
21	201503	C25503	C36503	D40503	Spindle nut	1

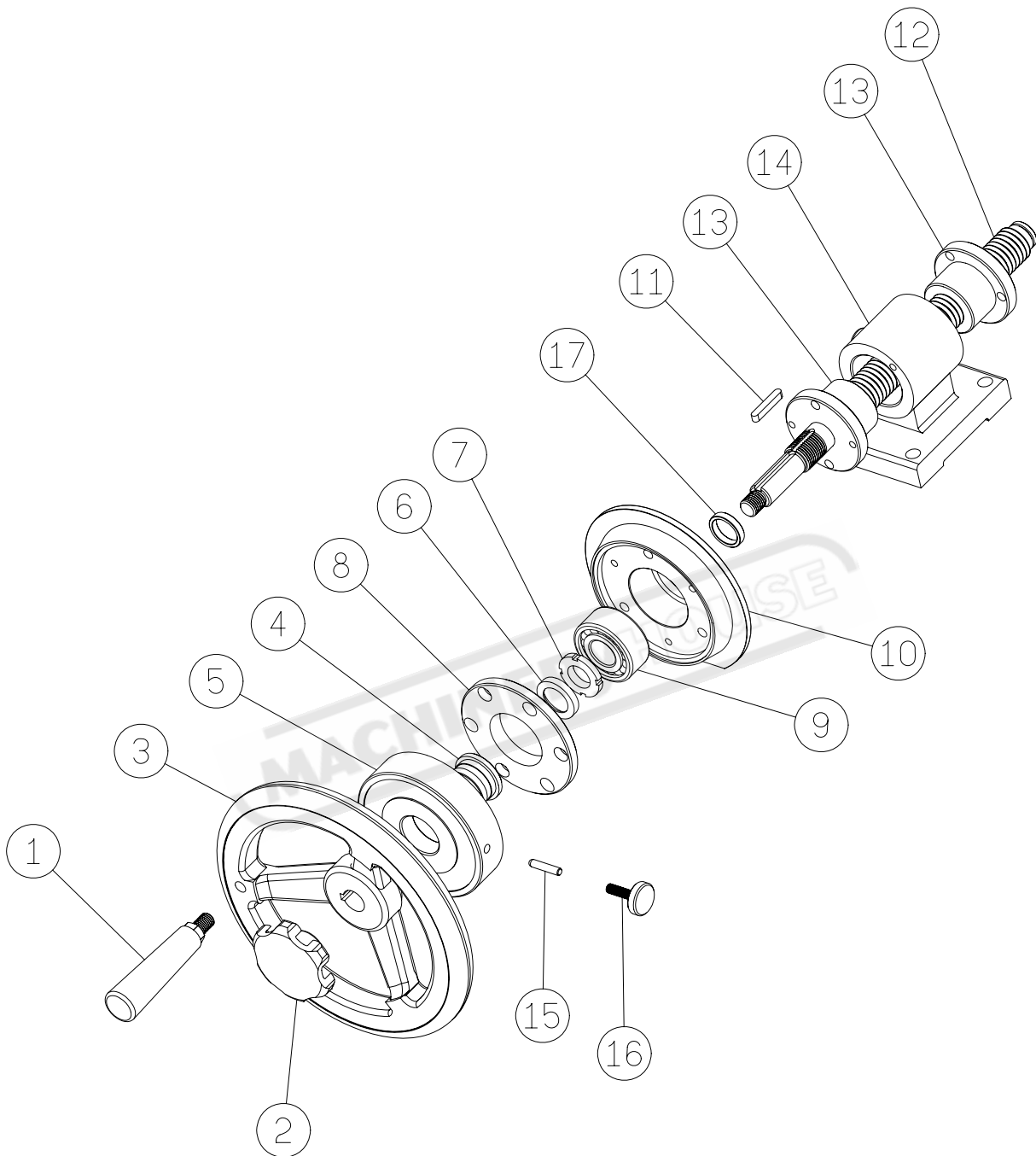
6. Vertical Assembly Drawing (FOR 1545/2045/2550/C3060/D4080)



© Vertical Assembly Parts List
(FOR 1545/2045/2550/C3060/D4080)

NO	Parts No.				Parts Name	Q
	1545 2045	2550	3060	D4080		
1	FN-80	FG-90	FG-90	FG-90	Handwheel grip	1
2	ENT-63- $\frac{1}{2}$ "	ENT-63- $\frac{1}{2}$ "	ENT-63- $\frac{1}{2}$ "	ENT-63- $\frac{1}{2}$ "	Handwheel nut	1
3	KRN-200	KSP-200	KSP-250	KSP-250	Handwheel	1
4	251401	251401	251401	401401	Graduation dial	4
5	251404	251404	251404	401404	Graduation dial holder	2
6	AN05	AN05	AN05	AN05	Check nut	2
7	AW05	AW05	AW05	AW05	Ratchet washer	1
8	251202	301202	301202	301202	Graduation dial bush	1
9	B-1205	B-1205	B-1205	B-1205	Ball bearing	1
10	201405	251405	251405	401405	Shaft hosing	1
11	251407	251407	251407	251407	Washing	2
12	251408	251408	251408	251408	Spring	1
13	S25	S25	S25	S25	C type snap ring	1
14	K-P-5×5×18L	K-P-5×5×18L	K-P-5×5×18L	K-P-5×5×18L	Key	1
15	C15406	C25406	301406	D40406	Shaft	1
16	B-6204	B-6204	B-6204	B-6204	Ball bearing	1
17					Spring pin	1
18	251409	251409	251409	251409	Small level gear	1
19	251434	251434	251434	251434	Bevel gear bracket	1
20	B-51108	B-51108	B-51108	B-51108	Thrust ball bearing	1
21	251436	251436	251436	251436	Leadscrew nut	1
22	251431	251431	251431	251431	Leadscrew	1
23	251433	251433	251433	251433	Connector	1
24					Spring pin	1
25	K-P-7×5×25L	K-P-7×5×25L	K-P-7×5×25L	K-P-7×5×25L	Key	1
26	B-6011	B-6011	B-6011	B-6011	Ball bearing	1
27	251435	251435	251435	251435	Level gear	1
28	251436	251436	251436	251436	Check nut	1
29	251403	251403	251403	251403	Pin	1
30	251205	251205	251205	251205	Set screw	1
31	M6×P1×12L	M6×P1×12L	M6×P1×12L	M6×P1×12L	Fixed screw	1

7. Cross Feed Assembly drawing
(FOR 1545/2045M、H/2550H)

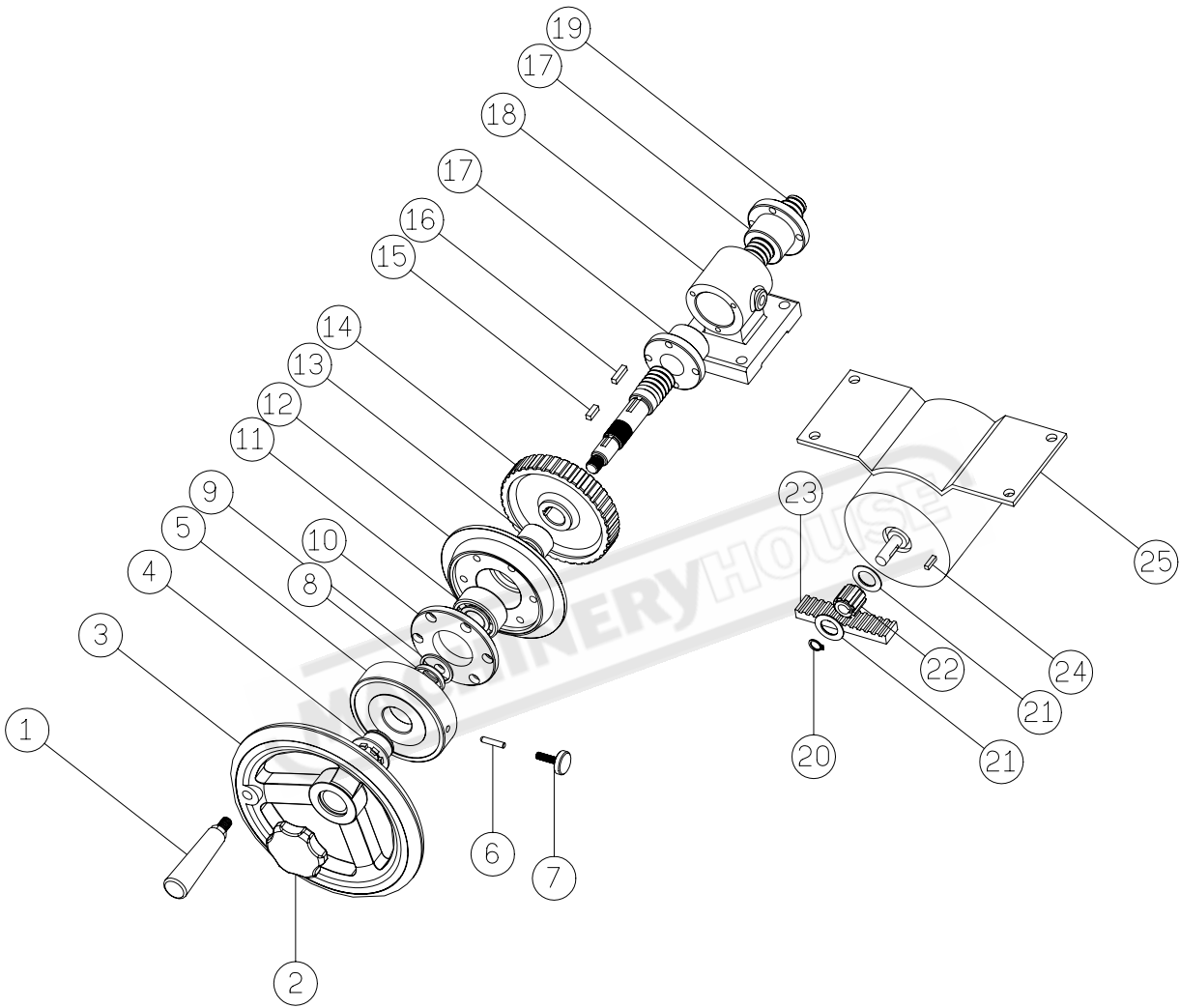


©Cross Feed Assembly Parts List
(FOR 1545/2045M、H/2550H)

NO	Parts No.		Parts Name	Q
	1545/2045	2550		
1	FN-80	FG-90	Handwheel grip	1
2	ENT-63- $\frac{1}{2}$ "	ENT-63- $\frac{1}{2}$ "	Handwheel nut	1
3	KRN-160	KSP-200	Handwheel	1
4	251202	251202	Graduation dial bush	1
5	401201	251201	Graduation dial	1
6	AN05	AN05	Check nut	1
7	AW05	AW05	Ratchet washer	1
8	251204	251204	Graduation dial holding	1
9	B-3204	B-3204	Ball bearing	1
10	251206	251206	Bearing holding	1
11	K-P-5×5×30L	K-P-5×5×30L	Key	1
12	C15211	C25211	Cross feed leadscrew	1
13	C15212	C25212	Leadscrew nut	1
14	251222	251222	Screw base	1
15	251203	251203	Set pin	1
16	251205	251205	Set screw	1
17	251212	251212	Washer	1

MACHINERYHOUSE

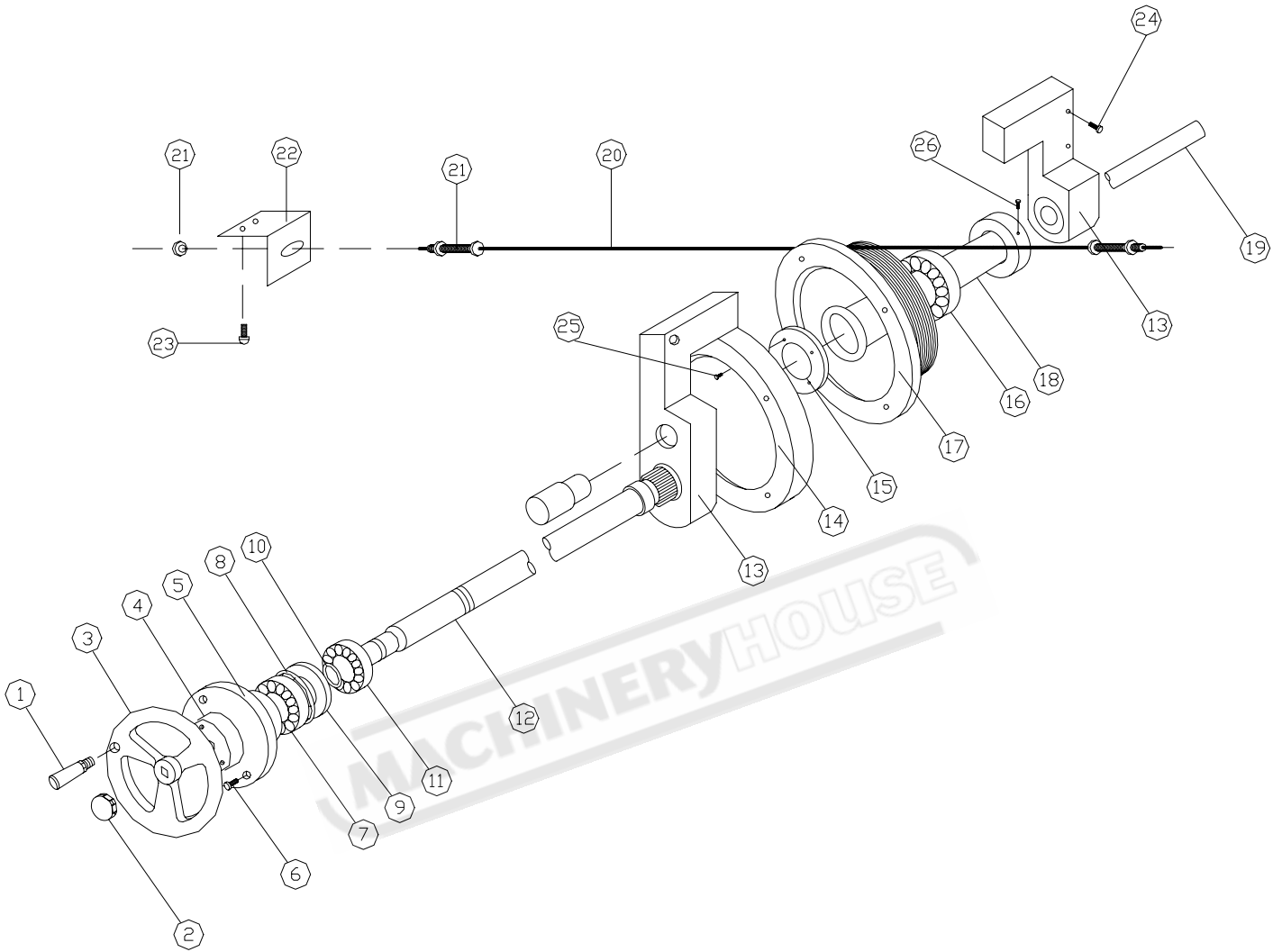
8. Cross Feed Assembly Drawing (FOR 1545/2045/2550/C3060/D4080AH)



© **Cross Feed Assembly Parts List**
(FOR 1545/2045/2550/C3060/D4080AH)

NO	Parts No.				Parts Name	Q
	1545 2045	2550	C3060	D4080		
1	FN-80	FG-90	FG-90	FG-90	Handwheel grip	1
2	ENT-63- $\frac{1}{2}$ "	ENT-63- $\frac{1}{2}$ "	ENT-63- $\frac{1}{2}$ "	ENT-63- $\frac{1}{2}$ "	Handwheel nut	1
3	KRNT-200	KSPT-200	KSPT-200	KSPT-200	Handwheel	1
4	251202	301202	301202	301202	Graduation dial bush	1
5	401201	401201	401201	401201	Graduation dial	1
6	251203	251203	251203	251203	Pin	1
7	251205	251205	251205	251205	Set screw	1
8	AN05	AN05	AN05	AN05	Check nut	1
9	AW05	AW05	AW05	AW05	Ratchet washer	1
10	251206	251206	251206	251206	Bearing holding	1
11	B-5204	B-5204	B-5204	B-5204	Ball bearing	1
12	251204	251204	251204	251204	Graduation dial holding	1
13	251231	251231	251231	251231	Washing	1
14	201232	251232	251232	251232	Timing belt pulley	1
15	K-P-5×5×15L	K-P-5×5×15L	K-P-5×5×15L	K-P-5×5×15L	Key	1
16	K-P-5×5×30L	K-P-5×5×30L	K-P-5×5×30L	K-P-5×5×30L	Key	1
17	C15212	251212	251212	251212	Leadscrew nut	1
18	251222	251222	251222	D40222	Screw base	1
19	C15211	C25211	C36211	D40211	Leadscrew Ballscrew (D4080 only)	1
20	SP11	SP11	SP11	SP11	Snap ring	1
21		251233	251233	251233	Washer	2
22	201234	251234	251234	251234	Timing belt pulley	1
23	T-150L50	T-187L75	T-187L75	T-187L75	Timing belt	1
24	K-P-4×4×10L	K-P-4×4×10L	K-P-4×4×10L	K-P-4×4×10L	Key	1
25	H-25W×4P	H- $\frac{1}{5}$ HP×6P	H- $\frac{1}{5}$ HP×6P	H- $\frac{1}{5}$ HP×6P	Cross feed motor	1

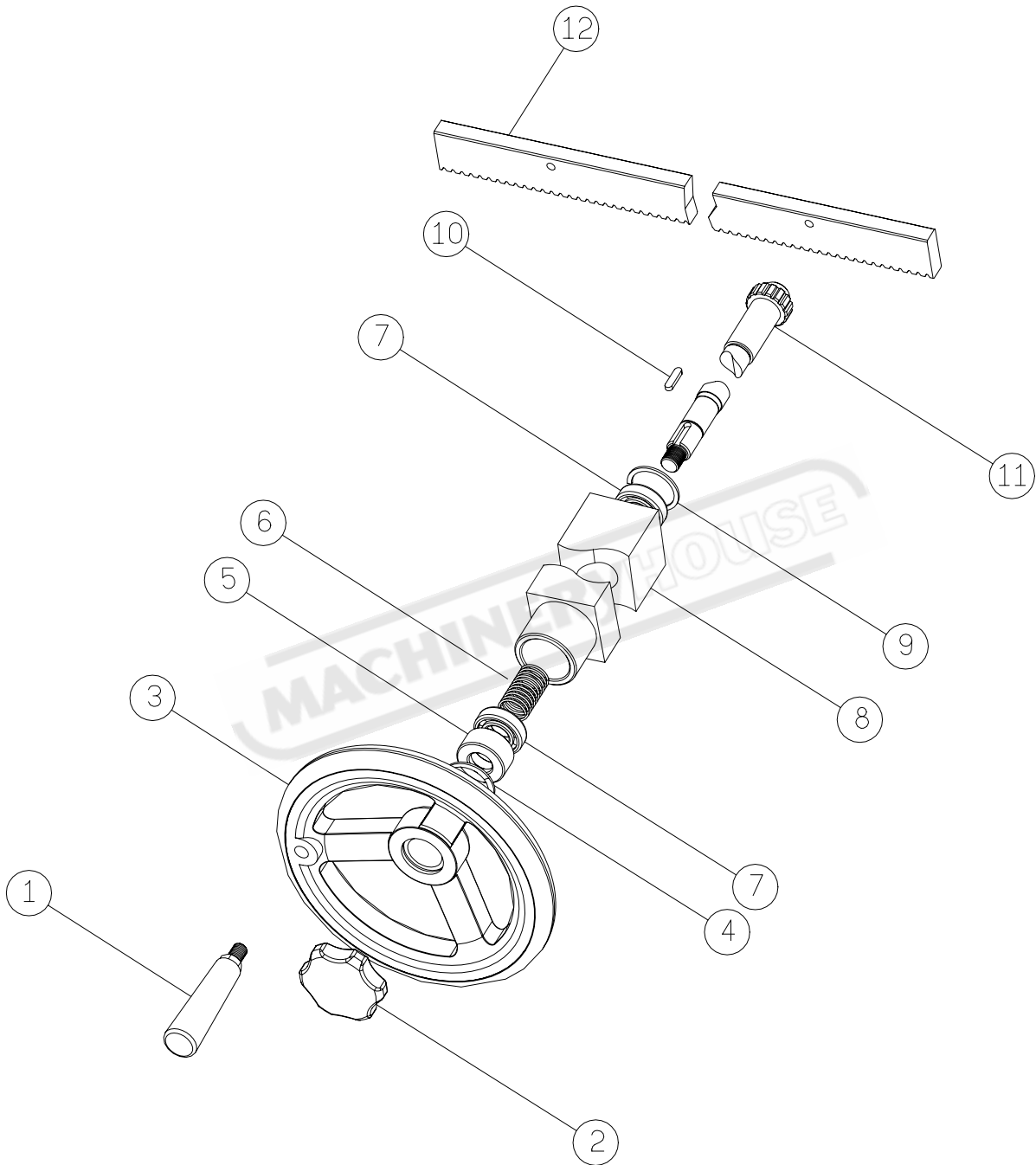
9. Longitudinal Hand Feed Assembly Drawing (FOR 1545/2045M)



© Longitudinal Hand Feed Assembly Parts List
(FOR 1545/2045M)

NO	Parts No.		Parts Name	Q
	1545	2045		
1	FN-80	FN-80	Handwheel grip	1
2	ENT-63- $\frac{1}{2}$ "	ENT-63- $\frac{1}{2}$ "	Handwheel nut	1
3	KRN-200	KRN-200	Handwheel	1
4	251323	251323	Nut	1
5	201321	201321	Bearing housing	1
6	F10476c	F10476c	Socket head cap screw	3
7	B-6204ZZ	B-6204ZZ	Ball bearing	1
8	SR47	SR47	Snap ring	1
9	251324	251324	Spacer	1
10	SP020	SP020	Snap ring	2
11	B-6004Z	B-6004Z	Ball bearing	1
12	C15322	C15322	Pinion shaft	1
13	201325	201325	Frame drum	1
14	201326	201326	Internal gear	1
15	SP025	SP025	Snap ring	1
16	B-6005Z	B-6005Z	Ball bearing	2
17	201327	201327	Drum	1
18	251328	251328	Bushing	1
19	201329	201329	Shaft	1
20	C15330	C15330	Wire rope	1
21	HN004	HN004	Hexagonal	4
22	251331	251331	End plate	2
23	F10406c	F10406c	Socket head cap screw	4
24	F10506c	F10506c	Socket head cap screw	4
25	F10404c	F10404c	Socket head cap screw	4
26	F20504c	F20504c	Set screw	3

10. Longitudinal Hand Feed Assembly Drawing (FOR 1545/2045/2550/C3060/D4080H、AH)

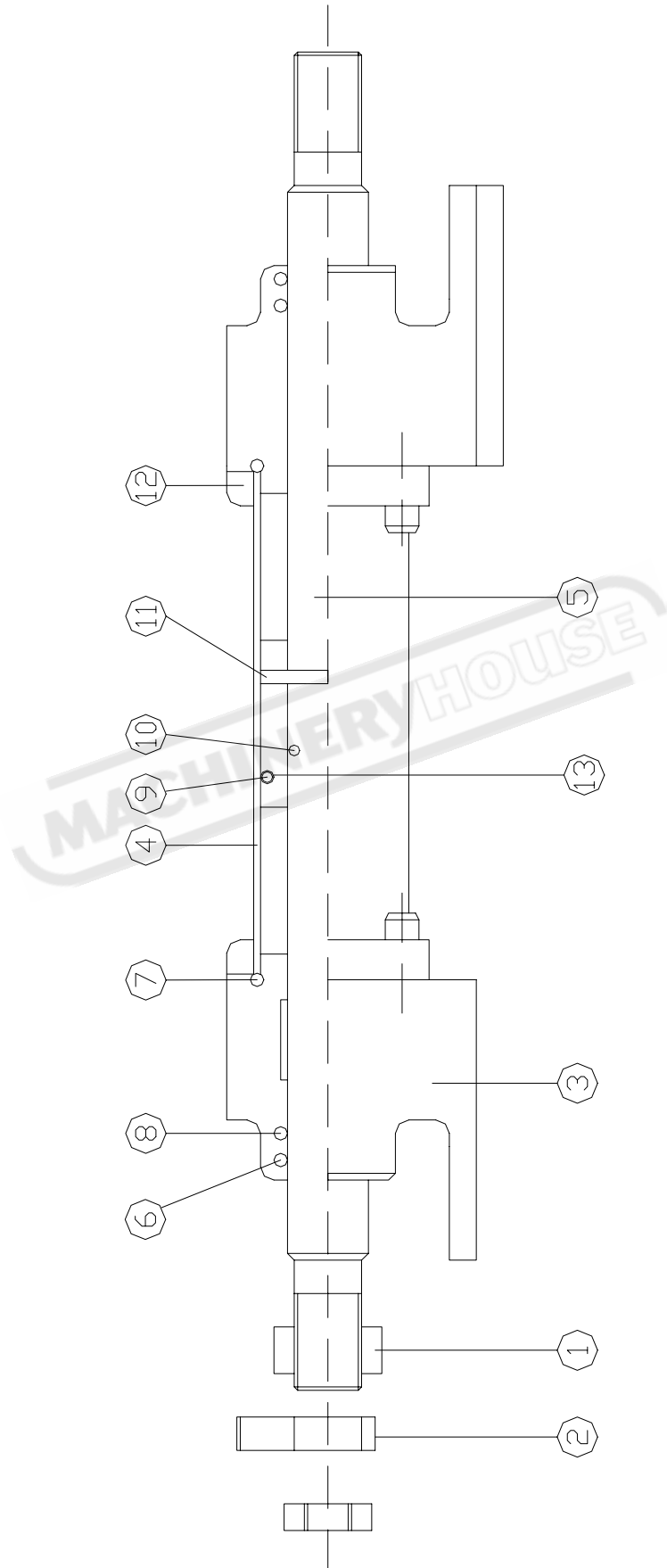


© Longitudinal Hand Feed Assembly Parts List
(FOR 1545/2045/2550/3060/D4080H、AH)

NO	Part No.				Parts Name	Q
	1545 2045	2550	C3060	D4080		
1	FN-80	FG-90	FG-90	FG-90	Handwheel grip	1
2	ENT-63- $\frac{1}{2}$ "	ENT-63- $\frac{1}{2}$ "	ENT-63- $\frac{1}{2}$ "	ENT-63- $\frac{1}{2}$ "	Handwheel nut	1
3	KRN-200	KSP-200	KSP-200	KSP-250	Handwheel	1
4	SR17	SR17	SR17	SR17	Snap ring	1
5	251351	251351	251351	251351	Bush	1
6	251352	251352	251352	251352	Spring	1
7	B-6003Z	B-6003Z	B-6003Z	B-6003Z	Ball bearing	2
8	251353	251353	301353	D40353	Frame	1
9	SR35	SR35	SR35	SR35	Snap ring	1
10	K-P-5×5×20L	K-P-5×5×20L	K-P-5×5×20L	K-P-5×5×20L	Key	1
11	C25354	C25354	C36354	D40354	Pinion shaft	1
12	C15355	C25355	C36355	D40355	Gear rack	1

MACHINERYHOUSE

11. Cylinder Assembly Drawing (FOR 1545/2045/2550/C3060/D4080H、AH)

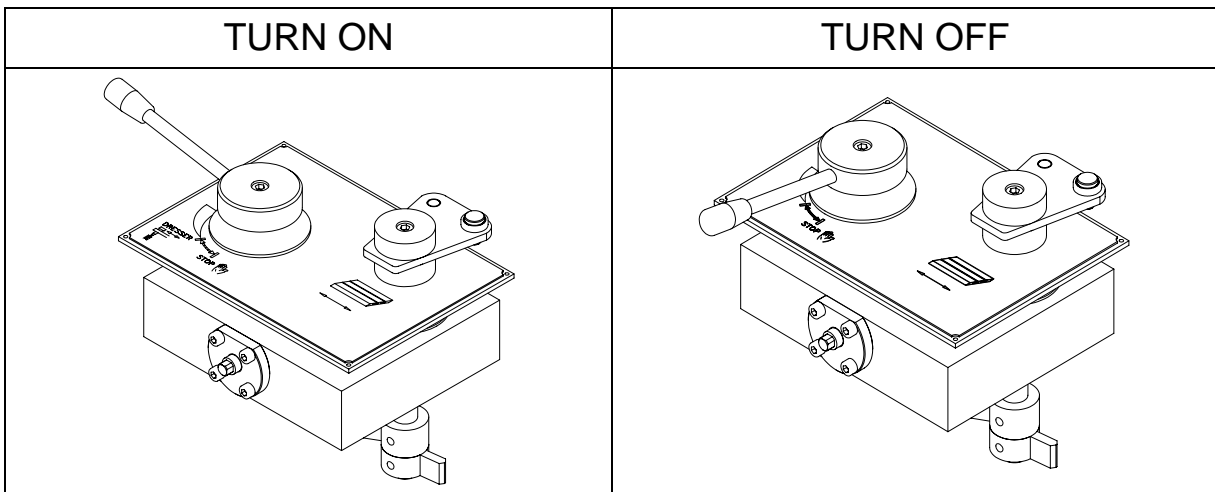
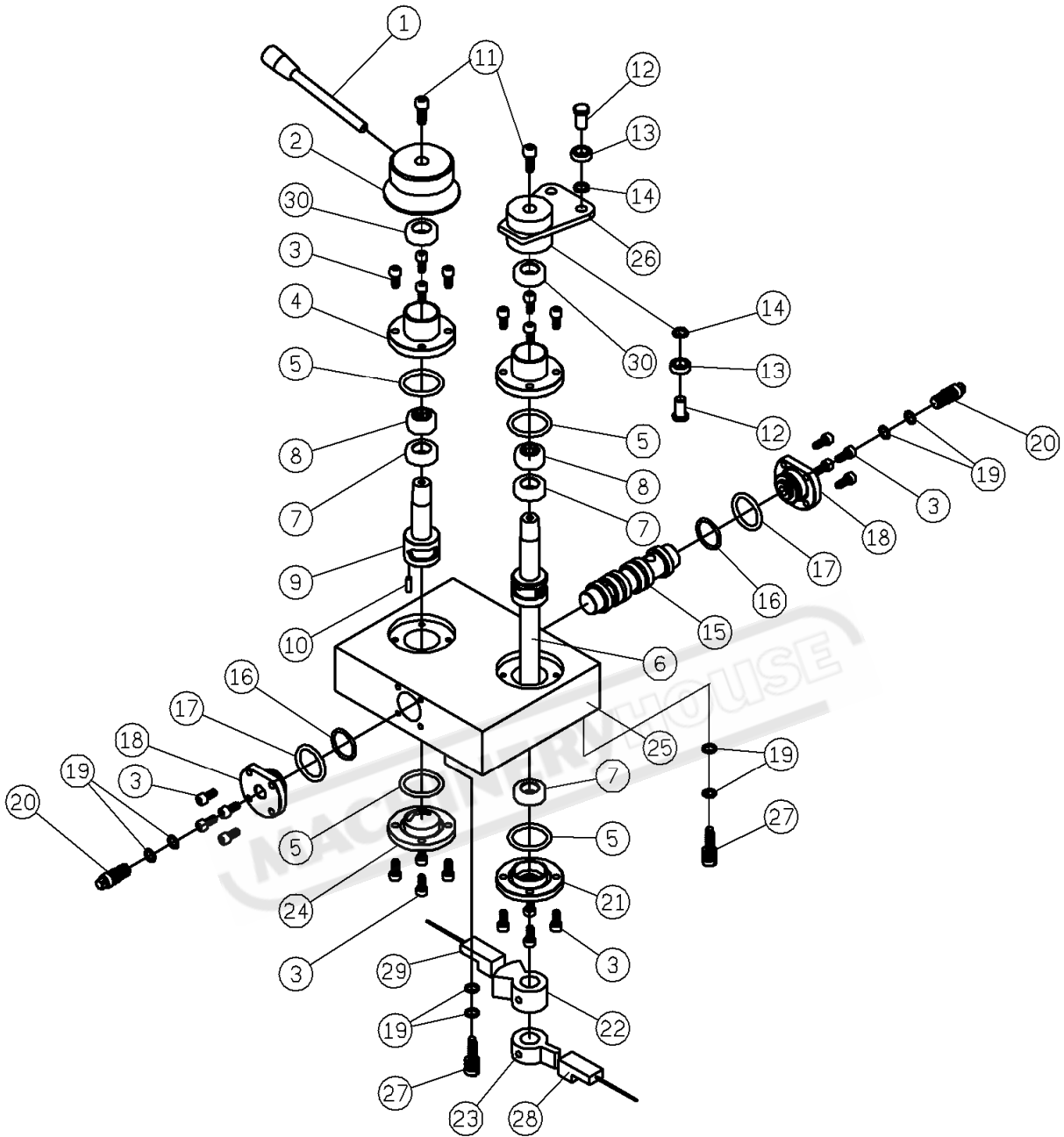


◎ Cylinder Assembly Parts List
(FOR 1545/2045/2550/3060/D4080H、AH)

NO	Parts No.				Parts Name	Q
	1545 2045	2550	C3060	D4080		
1	251672	251672	251672	251672	Rubber cushion	2
2	251673	251673	251673	251673	End bracket	2
3	C15653	251653	251653	401653	Cylinder bracket	2
4	C15651	251651	C36651	401651	Cylinder	1
5	C15652	251652	C36652	401652	Piston rod	1
6	LBH12	LBH20	LBH20	PTU20	Dust seal ring	2
7	SM30	SM30	SM30	G35	Clamp ring	2
8	USH12	USH20	USH20	USH30	U-Parking	2
9	BUP21	BUP24	BUP24	USH30	Cylinder O-ring	2
10	P12	P24	P24	-	Diston O-ring	1
11	3w×1.5t×75L	TP24	TP24	-	Lock pin	1
12	C15658	251658	251658	D40658	Cylinder clamp	2
13	C15660	251660	251660	D40660	Piston	1

MACHINERYHOUSE

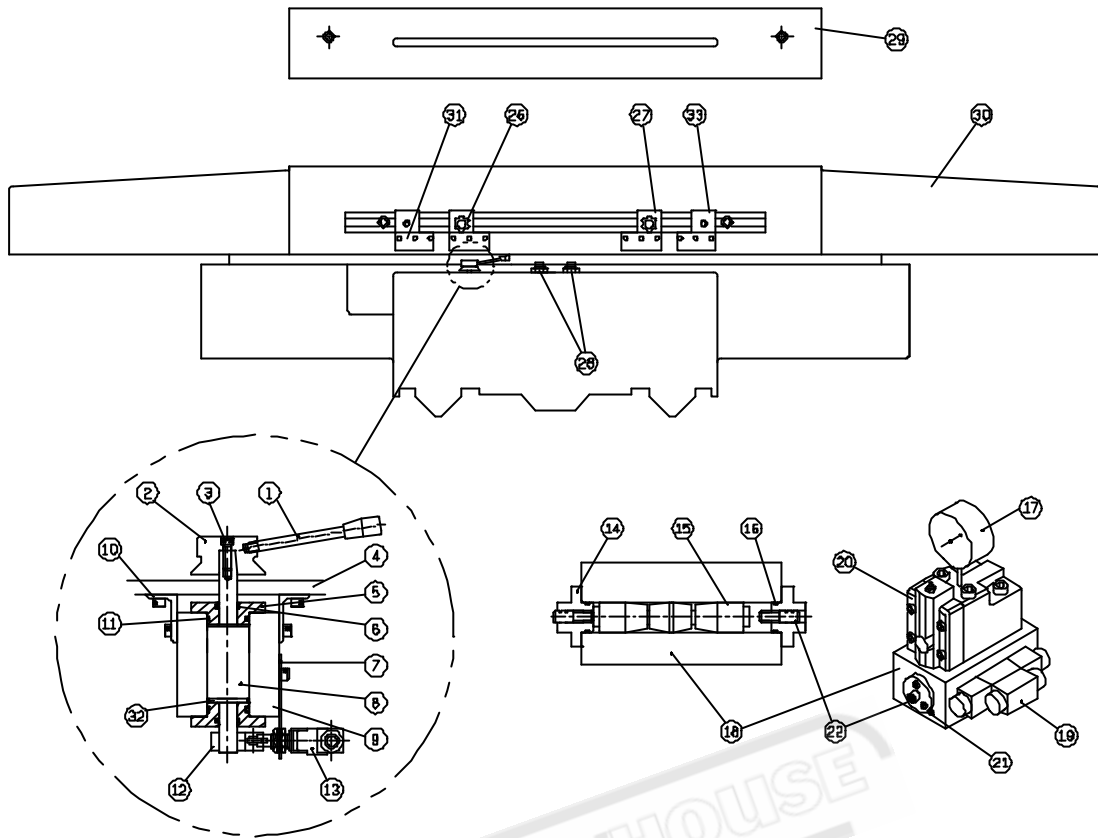
12. Valve Assembly Drawing (FOR 1545/2045/2550/C3060H、AH)



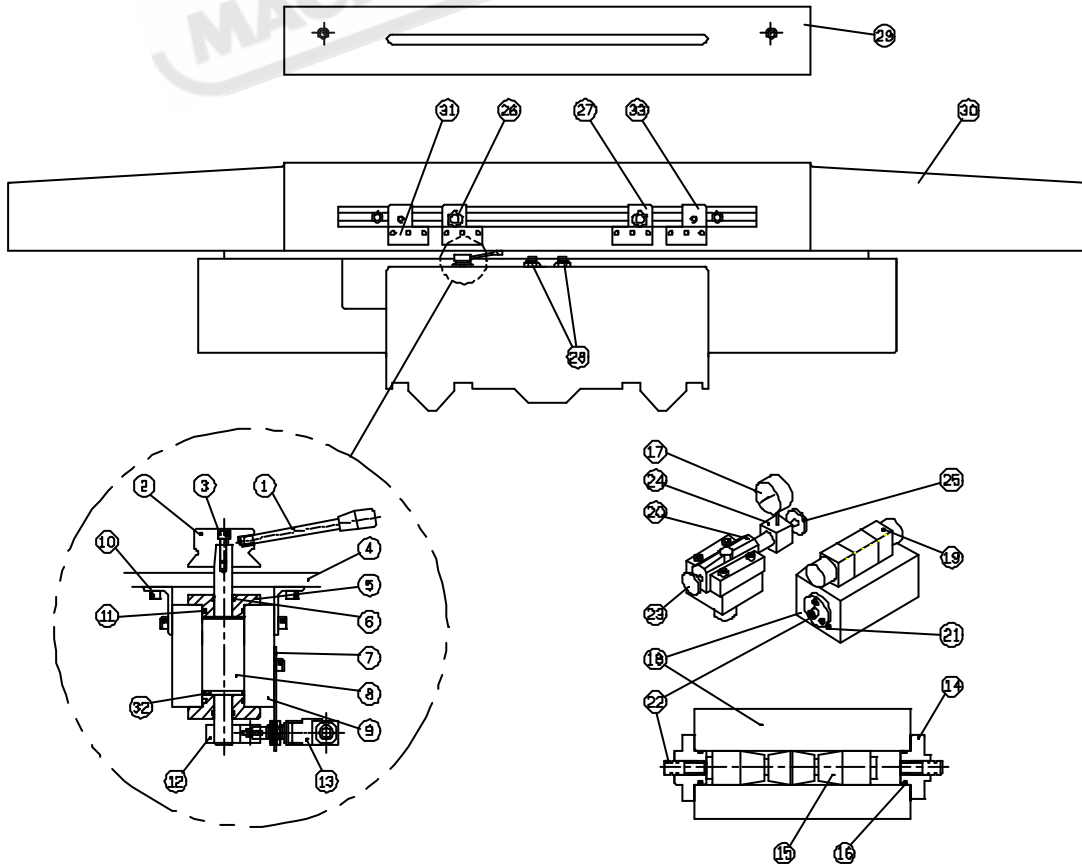
◎ Valve Assembly Parts List
(FOR 1545/2045/2550/C3060H、AH)

NO	Parts No.	Parts Name	Q
1	251645	Flow control lever	1
2	251644	Flow control knob	1
3	M5	Set screw	24
4	251605	Upper cover	2
5	P28	O-ring	4
6	251606	Direction control shaft	1
7	GRE15	U-parking	3
8	1516	Oil-bearing	2
9	251609	Flow control shaft	1
10	P-P-4×13L	Pin	1
11	M6	Set screw	2
12	251641A	Bearing spindle	2
13	B-6008	Ball bearing	2
14	251641B	Washer	2
15	251637	Spool	1
16	P22	O-ring	2
17	P25	O-ring	2
18	251603	Side cover	2
19	P8	O-ring	8
20	251616	Adjusting screw	2
21	251608	Bottom cover	1
22	DF25408	Cam for auto down	1
23	251257	Cam for cross feed	1
24	251610	Bottom cover	1
25	251601	Valve base	1
26	251641	Direction control arm	1
27	251516	Adjusting screw	2
28	TL-E5EP1-3	Proximity switch for cross feed(50,51,52)	1
29	TL-E5EP1-3	Proximity switch for vertical(53,54,55)	1
30	LBH15	Dust seal ring	2

13. Valve Assembly Drawing (FOR D3060AH)



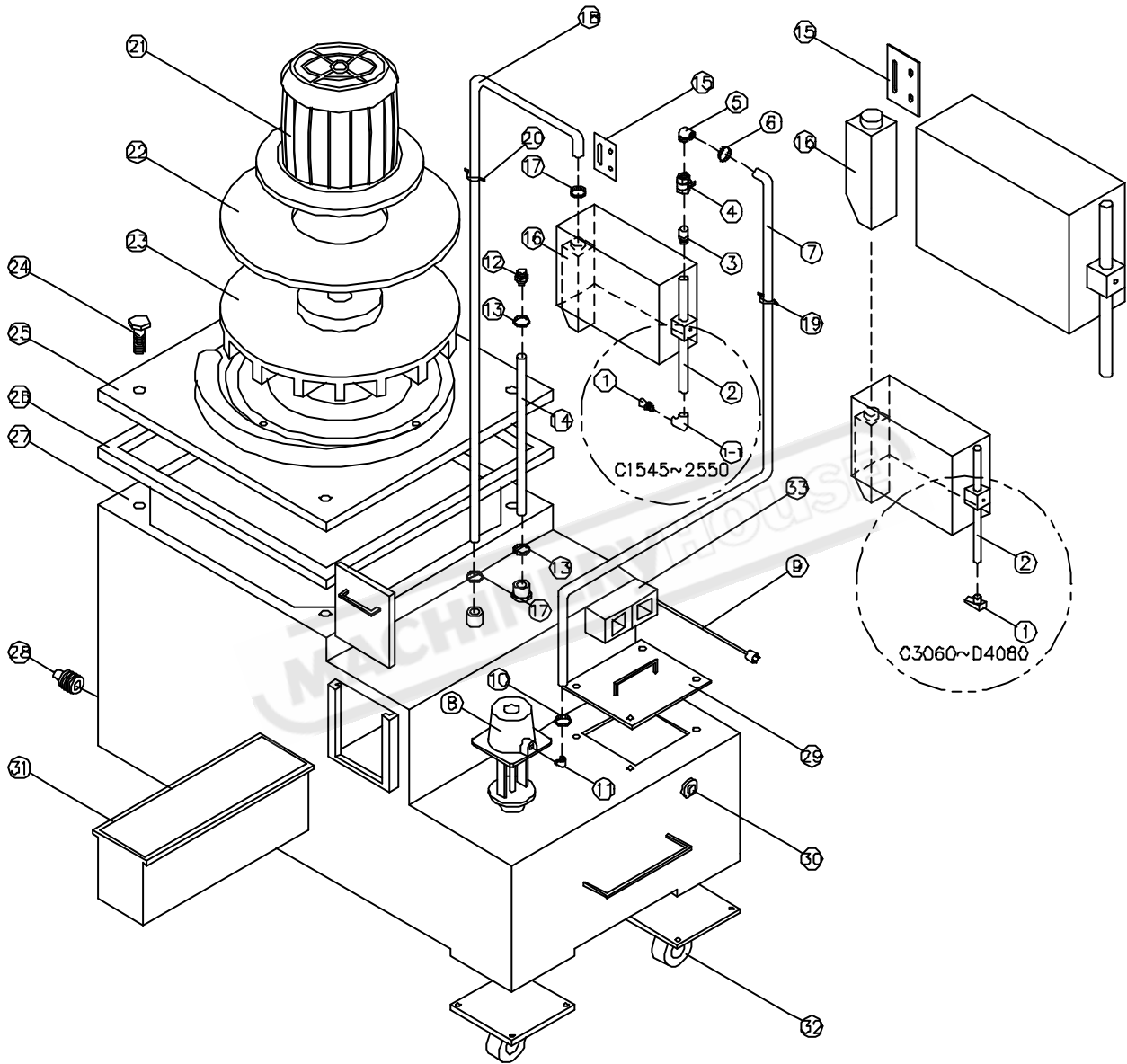
(FOR D4080AH)



Valve Assembly Parts List
(FOR D3060/D4080AH)

NO	Parts No.		Parts Name	Q
	D3060	D4080		
1	251645	251645	Flow control lever	1
2	251644	251644	Flow control knob	1
3	M6	M6	M6 fixed screw	1
4	D36102	D40102	Saddle	1
5	D36603	D36603	Side cover for flow valve	2
6	P15	P15	O-ring	2
7	D36634	D36634	Anchor plate for limits switch	1
8	D36602	D36602	Flow control shaft	1
9	D36601	D36601	Flow control valve	1
10	D36631	D36631	Anchor plate for valve	2
11	G30	G30	O-ring	2
12	D36632	D36632	Cam for solenoid	1
13	MN5311	MN5311	Limits switch	1
14	506103	506103	Side cover for direction valve	1
15	D36612	D36612	Direction shaft	1
16	P22	P22	O-ring	2
17	H-G04-50	H-GA04-50	Oil pressure gauge	1
18	D36611	D36611	Direction valve	1
19	SWH-G02-C7-220V	SWH-G02-C7-220V	Solenoid valve	1
20	RF-G04	RF-G04	Relief valve	1
21			Shake adjust screw	1
22	506109	506109	Adjust screw for side cover	2
23	-		Pressure regulating	1
24	-	H-CK04-50	Pressure gauge valve	1
25	-		Pressure gauge knob	1
26	D36341	D40341	Adjusting screw	2
27	D40343	D40343	Sensing chip	2
28	TM-X1204F1	TM-X1204F1	Proximity sensor	2
29	D36340	D40340	Protection shield	1
30	C36103	D40103	Table	1
31	D36344	D40344	Adjusting block	4
32			Anti-loose ring	1
33			Limit trip dog	2

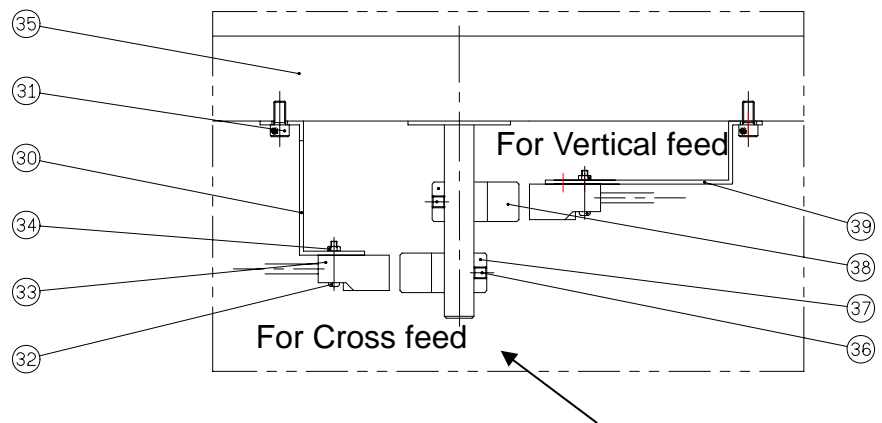
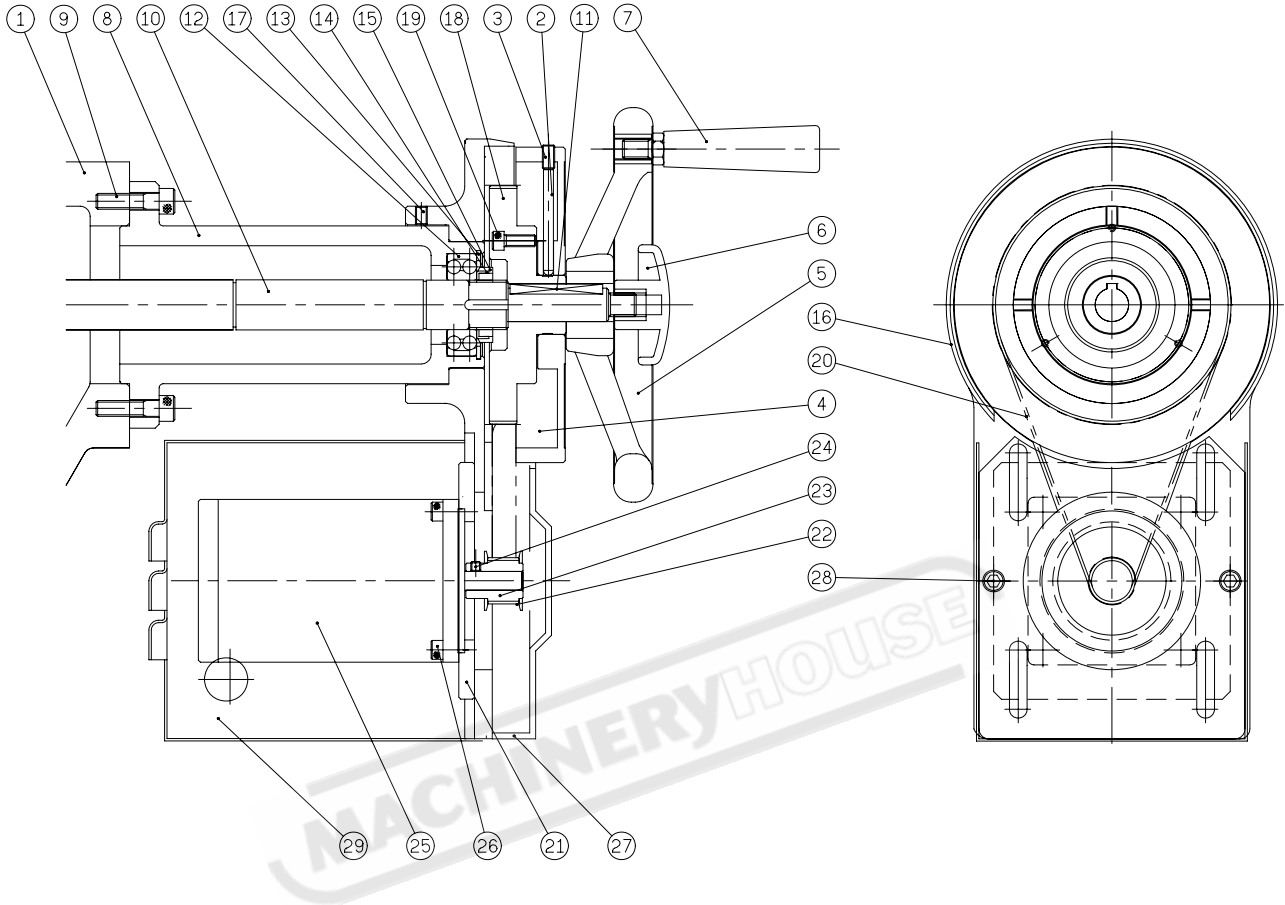
15. Dust Suction with Coolant System Drawing (Optional Accessory)



© Dust Suction with Coolant System Assembly Parts List

NO	Parts No.		Parts Name	Q
	1545~ 2550	C3060~D4080		
1	C-PDK-06	C-PDK-06	Coolant nozzle	1
1-1	C-EL-06T×06TI	C-EL-06T×06TI	Nozzle elbow	1
2	910702	910702-1	Coolant pipe	1
3	910701	910701	Nipple pipe	1
4	C-BG-06	C-BG-06	Valve	1
5	C-EL-06TI×06TI	C-EL-06TI×06TI	Elbow	1
6	C-TC-08	C-TC-08	Clamp	1
7	C-NPH-08×3000	C-NPH-08×3000	Coolant hose	1
8	1/8HP-L180	1/8HP-L180	Pump	1
9			Cable & Socket	1
10	C-TC-08	C-TC-08	Clamp	1
11	C-EL-06T×06T	C-EL-06T×06T	Elbow	1
12			Snap-hose connector	1
13	C-TC-08	C-TC-08	Clamp	1
14	C-HS-08	C-HS-08	Snap hose	1
15			Dust collector plate	1
16	921422	921422	Dust collector	1
17	C-TC-08	C-TC-08	Clamp	2
18			Snap hose (Dust)	1
19			Clamp (Coolant hose)	1
20			Clamp (Dust hose)	1
21	MVB1322	MVB1322	Dust motor	1
22	921408	921408	Motor plate	1
23	921407	921407	Suction Fan	1
24	F3061004	F3061004	Screw	1
25	921404	921404	Upper cover	1
26	921405	921405	Cover packing	1
27	921401	921401	Tank	1
28			Plug	1
29	921404	921404	Coolant tank cover	1
30	GM00006	GM00006	Coolant indicator	1
31	921402	921402	Filter	1
32	JA00003	JA00003	Roller wheel	1
33	ES9600	ES9600	On-Off switch	1

15. Auto Down Feed Assembly Drawing (Optional Accessory) (FOR 1545/2045/2550/C3060/D4080)

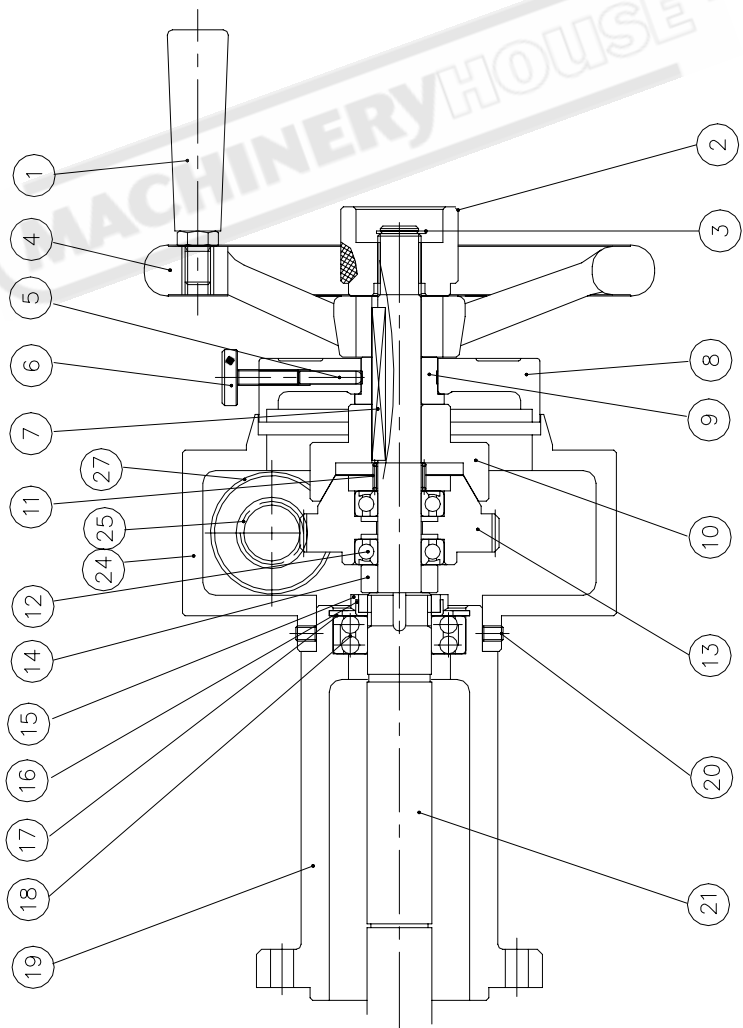
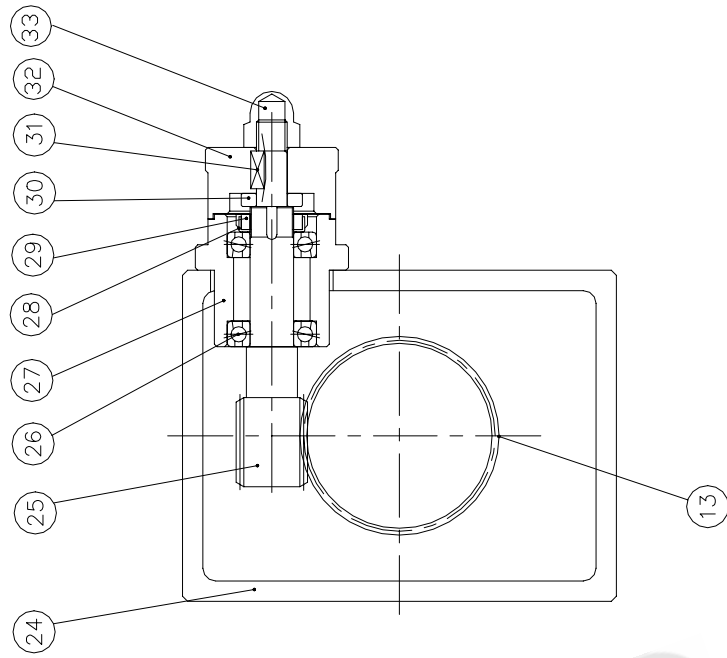


(1545/2045/2550/3060 only)

◎ Auto Down Feed Assembly Parts List
(FOR 1545/2045/2550/C3060/D4080)

NO	Parts No.	Parts Name	Q
1	-	Base	1
2	251203	Set pin	1
3	251205	Set screw	1
4	DFC36412	Graduation dial	1
5	KRN-200(C1545/C2045) KSP-250	Handwheel	1
6	ENT-63-1/2"	Handwheel nut	1
7	FN-80(C1545/C2045) FG-90	Handwheel grip	1
8	251405	Shaft hosing	1
9	M8×P1.25×30L	Fixed screw	3
10	251406	Transmission shaft	1
11	5×5×50L	Key	1
12	B-1205	Ball bearing	1
13	RTW#55	C shape snap ring	1
14	AW05	Ratchet washer	1
15	AN05	Check nut	1
16	DFC36401	Graduation dial holder	1
17	M6×P1.0×8L	Fixed screw	2
18	DFC36403	Timing belt pulley	1
19	M6×P1.0×15L	Fixed screw	3
20	T-210XL37	Timing belt	1
21	DFC36404	Holding plate	1
22	251233	Pulley washer	2
23	DFC36405	Timing belt pulley	1
24	M5×P0.8×5L	Fixed screw	2
25	4H8618M0308	Stepping motor	1
26	M6×P1.0×15L	Fixed screw	1
27	DFC36406	Belt protection cover	1
28	M5×P1.0×15L	Fixed screw	3
29	DF25407	Stepping motor protection cover	1
30	DF40409	Proximity switch hosing	1
31	M6×P1.0×10L	Fixed screw	1
32	M3×P0.5×20L	Fixed screw	2
33	TL-E5PE1-3	Proximity switch	2
34	M3×P0.5	Fixed screw	2
35	251630PR	Hydraulic valve	1
36	M6×P1.0×6L	Fixed screw	2
37	251257	Cam for cross feed	1
38	DF25408	Cam for auto down	1
39	251256	Proximity switch hosing	1

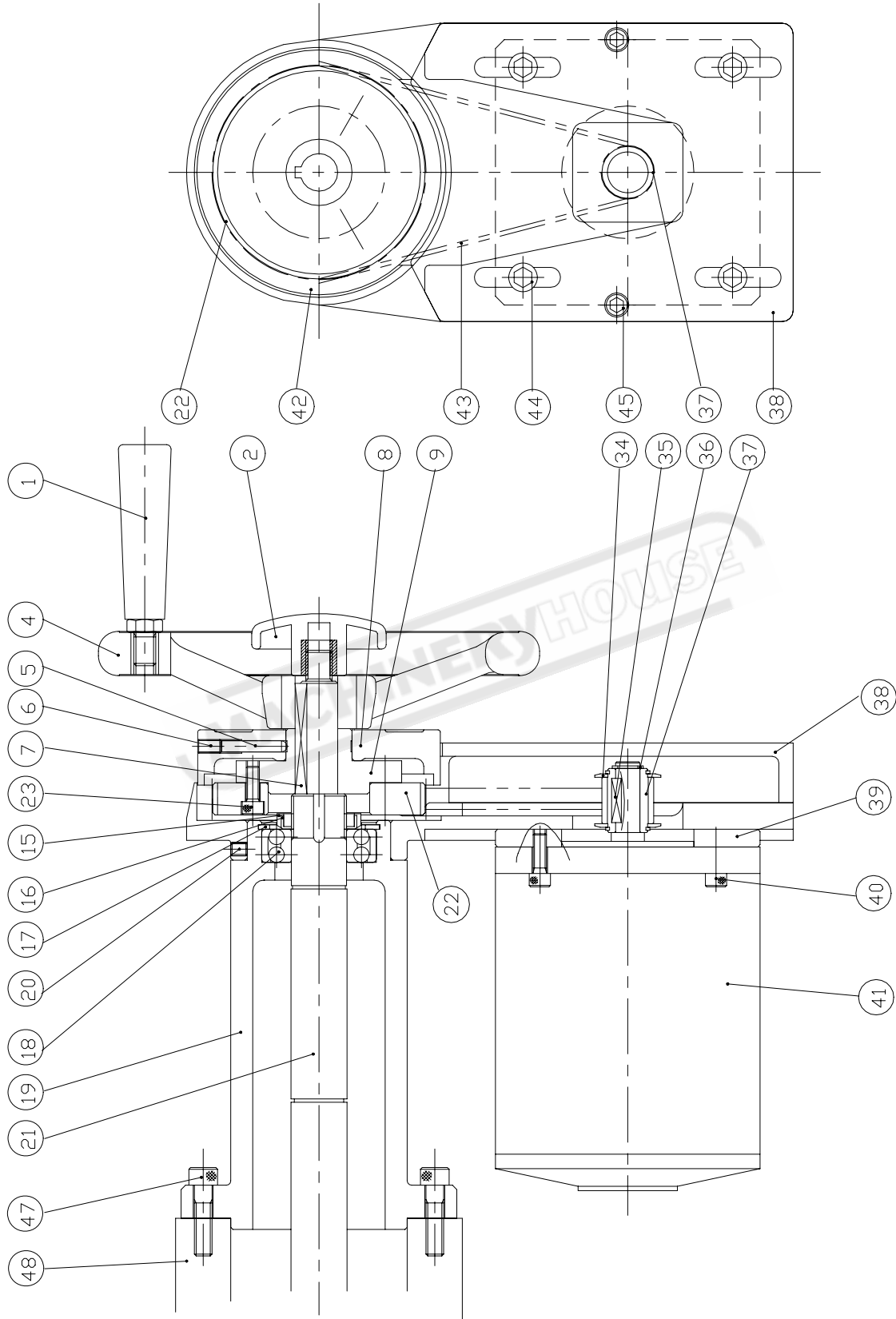
16. Micro feed for vertical Assembly Drawing (Optional Accessory) (FOR 1545/2045/2550/C3060/D4080)



◎ Micro feed for vertical Assembly Parts List
(FOR 1545/2045/2550/C3060/D4080)

NO	Parts No.	Parts Name	Q
1	FG-90	Handwheel grip	1
2	MF25405	Nut	1
3	STW#15	C-shaped snap ring	1
4	KSP-250	Handwheel	1
5	251403	Set pin	1
6	251205	Set screw	1
7	5×5×60L	Key	1
8	251401	Graduation dial	1
9	251202	Graduation dial bush	1
10	MF25404	Friction gear	1
11	251352	Spring	1
12	B-6003Z	Ball bearing	2
13	MF25403	Spiral gear	1
14	251410	Dial washer	1
15	AN05	Check nut	1
16	AW05	Ratchet washer	1
17	STW#55	C-shaped snap ring	1
18	B-1205	Ball bearing	1
19	MF20400	Transmission shaft base	1
20	M6×P1.0×6L	Fixed screw	4
21	MF25401	Transmission shaft	1
22	-	-	-
23	-	-	-
24	MF25402	Micro feed housing	1
25	MF25408	Micro feed worm	1
26	B-7003	Ball bearing	2
27	MF25407M	Worm bearing base	1
28	AW03	Ratchet washer	1
29	AN03	Chuck nut	1
30	MF25409	Set ring	1
31	5×5×15L	Key	1
32	MF25410M	Micro feed dial	1
33	M12×P1.75	Fixed nut	1

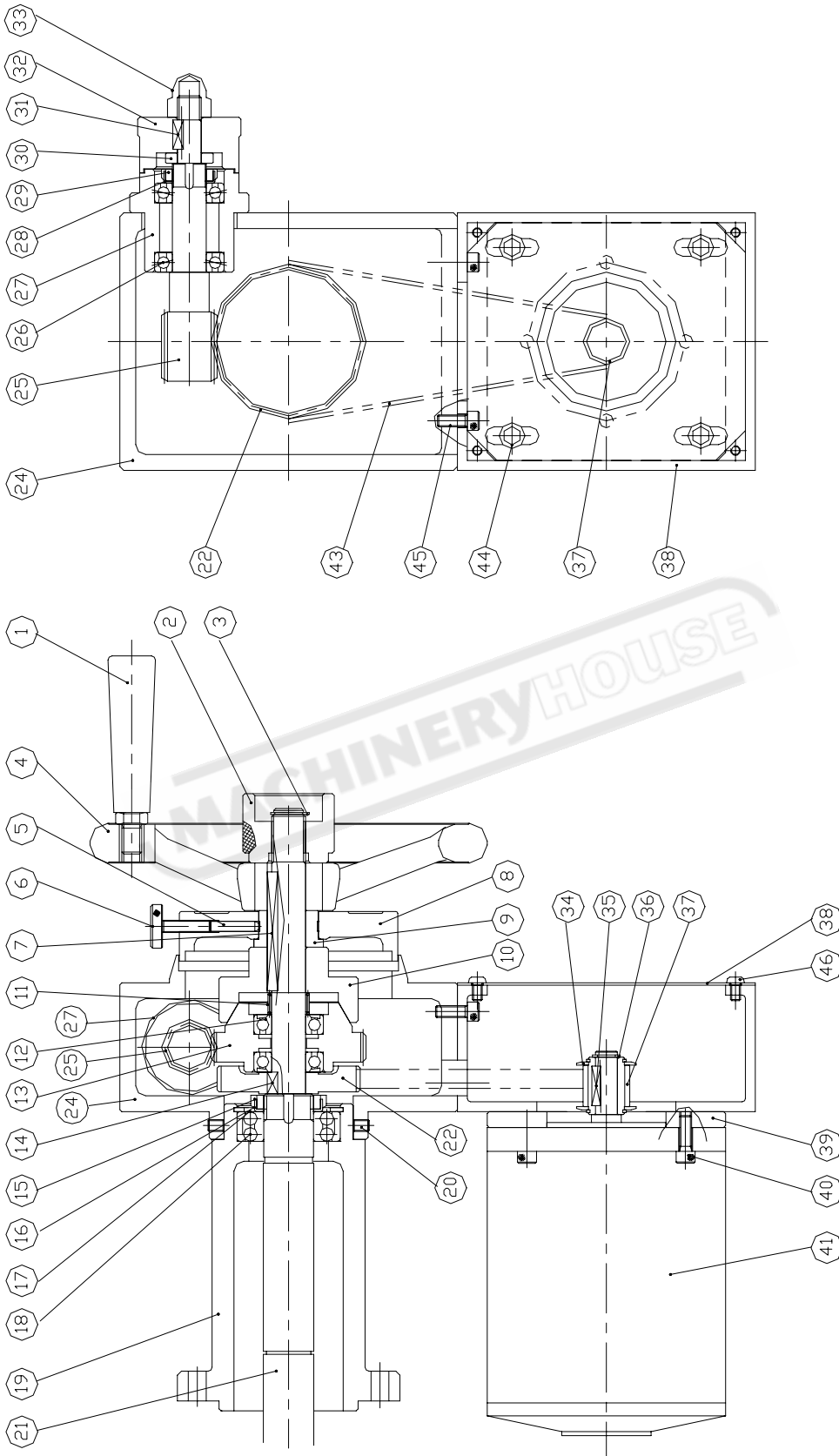
**17. Power rapid for vertical Assembly Drawing (Optional Accessory)
(FOR 1545/2045/2550/C3060/D4080)**



◎ Power rapid for vertical Assembly Parts List
(FOR 1545/2045/2550/C3060/D4080)

NO	Parts No.	Parts Name	Q
1	FR-90	Handwheel grip	1
2	ENT-63-1/2"	Handwheel nut	1
3	-		-
4	KSP-250	handwheel	1
5	251403	Set pin	1
6	W1/4"-20×10L	Fixed screw	1
7	5×5×50L	Key	1
8	251401	Graduation dial	1
9	DF25402	Timing belt pulley bush	1
10	-		-
11	-		-
12	-		-
13	-		-
14	-		-
15	AN05	Check nut	1
16	AW05	Ratchet washer	1
17	STW#55	C-shaped snap ring	1
18	B-1205	Ball bearing	1
19	251405	Transmission shaft base	1
20	M6×P1.0×8L	Fixed screw	2
21	251406	Transmission shaft	1
22	DF25403	Timing belt pulley	1
23	M6×P1.0×15L	Fixed screw	3
24	-		-
25	-		-
26	-		-
27	-		-
28	-		-
29	-		-
30	-		-
31	-		-
32	-		-
33	-		-
34	251233	Timing belt pulley cover	1
35	4×4×20L	key	1
36	STW#11	C-shaped snap ring	1
37	251234	Timing belt pulley	1
38	DF25406	Belt protection cover	1
39	DF25404	Motor fixed plate	1
40	M6×P1.0×15L	Fixed screw	4
41	1/5HP×6P	AC motor	1
42	DF25401M	Indication dial base	1
43	T-187L037	Timing belt	1
44	M8×P1.25×20L	Fixed screw	4
45	M6×P1.0×15L	Fixed screw	2
46	-		-
47	M8×P1.25×30L	Fixed screw	3
48	C25101	Base	1

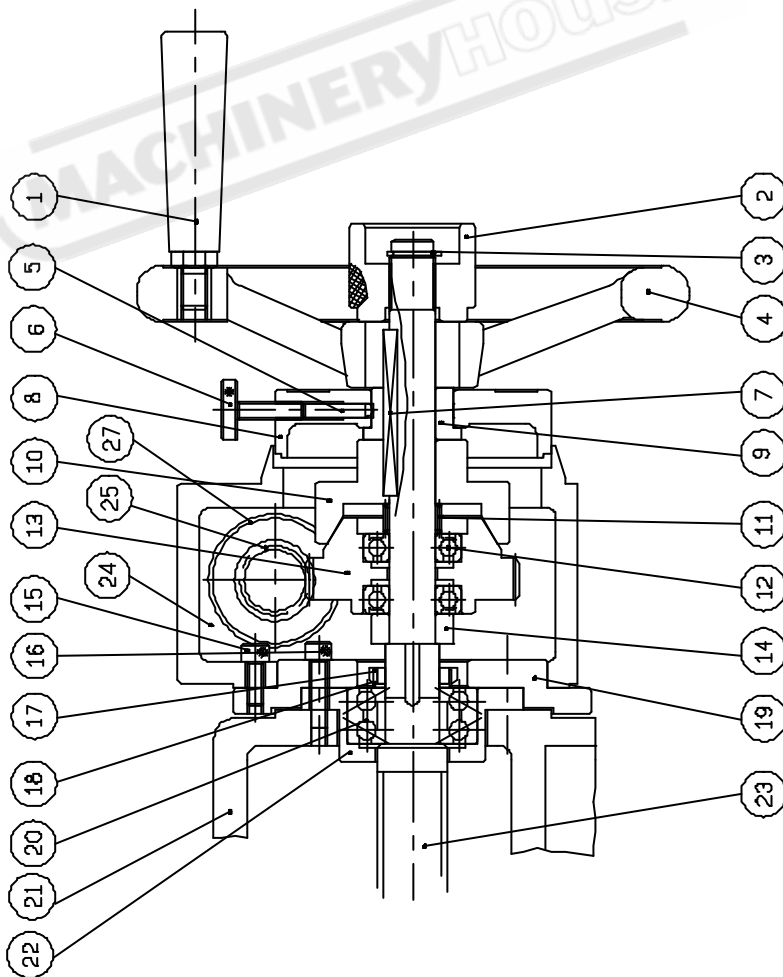
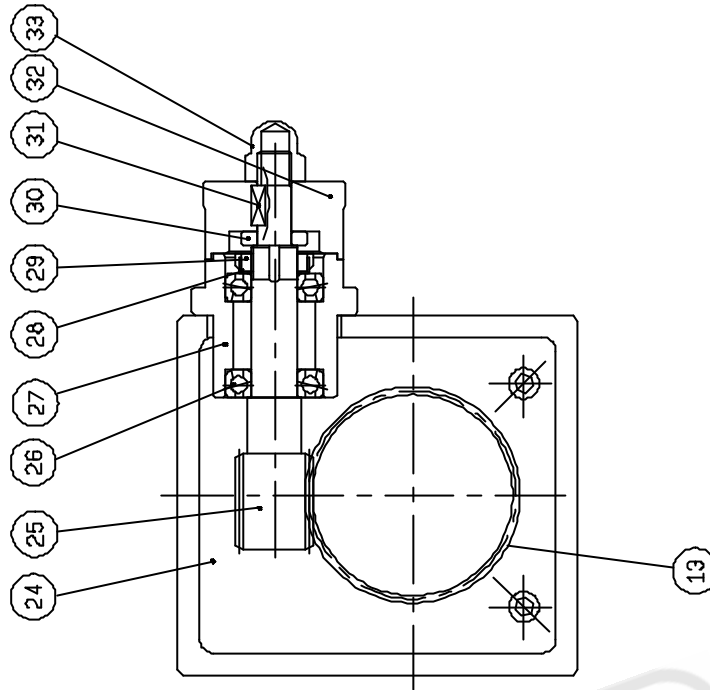
18. Power rapid with micro feed for vertical Assembly Drawing (Optional Accessory)
(FOR 1545/2045/2550/C3060/D4080)



© Power rapid with micro feed for vertical Parts List
(FOR 1545/2045/2550/C3060/D4080)

NO	Parts No.	Parts Name	Q
1	FR-90	Handwhel grip	1
2	MF25405	Nut	1
3	STW#15	C-shaped snap ring	1
4	KSP-250	Handwheel	1
5	251403	Set pin	1
6	251205	Set screw	1
7	5×5×60L	key	1
8	251401	Graduation dial	1
9	251202	Graduation dial bush	1
10	MF25404	Friction gear	1
11	251352	Spring	1
12	B-6003Z	Ball bearing	2
13	MF25403	Spiral gear	1
14	5×5×10L	Key	1
15	AN05	Chuck nut	1
16	AW05	Ratchet washer	1
17	STW#55	C-shaped snap ring	1
18	B-1205	Ball bearing	1
19	MF20400	Transmission shaft base	1
20	M6×P1.0×6L	Fixed screw	4
21	MF25401	Transmission shaft	1
22	RMF25430	Timing belt pulley	1
23	-	-	-
24	MF25402	Micro feed housing	1
25	MF25408	Micro feed worm	1
26	B-7003	Ball bearing	2
27	MF25407M	Worm bearing base	1
28	AW03	Ratchet washer	1
29	AN03	Chuck nut	1
30	MF25409	Set ring	1
31	5×5×15L	Key	1
32	MF25410M	Micro feed dial	1
33	M12×P1.75	Fixed screw	1
34	251233	Timing belt pulley cover	1
35	4×4×20L	Key	1
36	STW#11	C-shaped snap ring	1
37	251234	Timing belt pulley	1
38	RMF25431	Belt protection cover	1
39	DF25404	Motor fixed plate	1
40	M6×P1.0×15L	Fixed screw	4
41	1/5HP×6P	AC motor	1
42	-	-	-
43	T-187L037	Timing belt	1
44	M8×P1.25×10L	Fixed screw	4
45	M6×P1.0×15L	Fixed screw	2
46	M8×P1.25×10L	Fixed screw	4

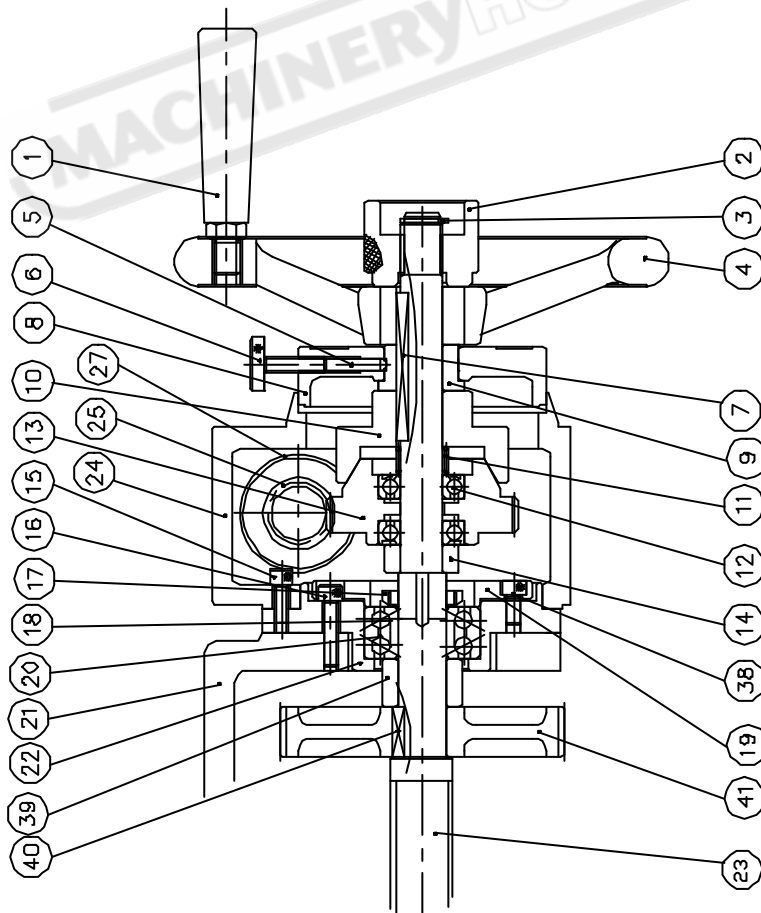
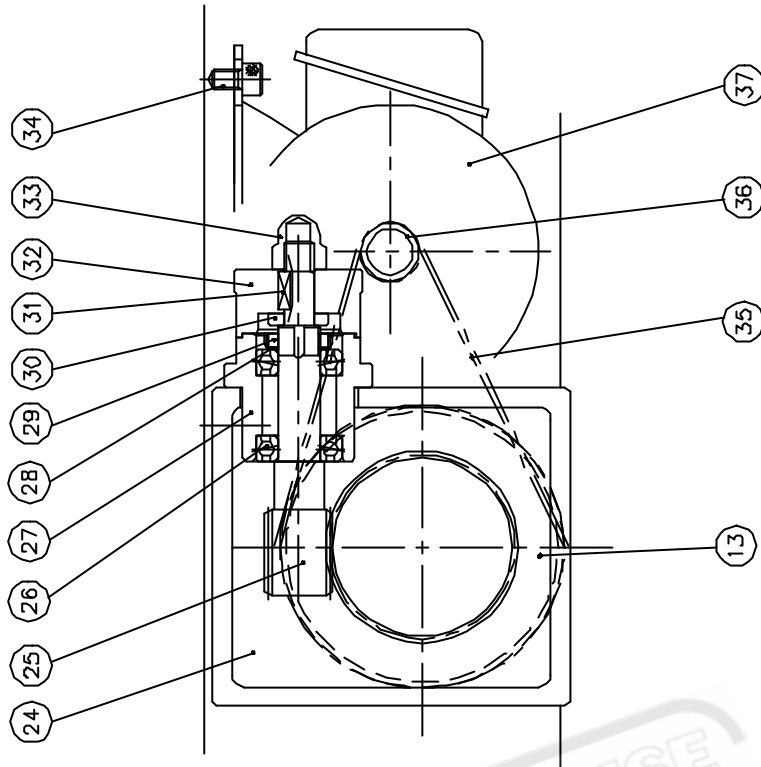
19. M, H Micro cross feed Assembly Drawing (Optional accessory)



◎ M、H Micro cross feed Assembly Parts List

NO	Parts No.		Parts Name	Q
	C1545M/H C2045M/H	C2550H		
1	FN-80	FN-80 FG-90	Handwheel grip	1
2	MF25405	MF25405	Nut	1
3	STW#15	STW#15	C-shaped snap ring	1
4	KRN-160	KRN-200 KSP-200	Handwheel	1
5	251203	251203	Set pin	1
6	251205	251205	Set screw	1
7	5×5×60L	5×5×60L	Key	1
8	401201M	401201M	Graduation dial	1
9	251202	251202	Graduation dial bush	1
10	MF25404	MF25404	Friction gear	1
11	251352	251352	Spring	1
12	B-6003Z	B-6003Z	Ball bearing	2
13	MF25403	MF25403	Spiral gear	1
14	251410	251410	Dial washer	1
15	M6×P1.0×15L	M6×P1.0×15L	Fixed screw	3
16	M6×P1.0×25L	M6×P1.0×25L	Fixed screw	3
17	AN04	AN04	Check nut	1
18	AW04	AW04	Ratchet washer	1
19	MF20213	MF20213	Bearing holding	1
20	B-3204	B-3204	Ball bearing	1
21	201102	201102	Saddle	1
22	201206	201206	Bearing base	1
23	MF20211	MF20211	Ballscrew	1
24	MF25202	MF25202	Micro feed housing	1
25	MF25408	MF25408	Micro feed worm	1
26	B-7003	B-7003	Ball bearing	2
27	MF25407M	MF25407M	Worm bearing base	1
28	AW03	AW03	Ratchet washer	1
29	AN03	AN03	Chuck nut	1
30	MF25409	MF25409	Set ring	1
31	5×5×15L	5×5×15L	Key	1
32	MF25210M	MF25210M	Micro feed dial	1
33	M12×P1.75	M12×P1.75	Fixed screw	1

20. AH Micro cross feed Assembly Drawing (Optional Accessory)



AH Micro cross feed Assembly Parts List

NO	Parts No.	Parts Name	Q
1	FG-90	Handwheel grip	1
2	MF25405	Nut	1
3	STW#15	C-shaped snap ring	1
4	KSPT-200	Handwheel	1
5	251203	Set pin	1
6	251205	Set screw	1
7	5×5×60L	Key	1
8	401201M	Graduation dial	1
9	251202	Graduation dial bush	1
10	MF25404	Friction gear	1
11	251352	Spring	1
12	B-6003Z	Ball bearing	2
13	MF25403	Spiral gear	1
14	251410	Dial washer	1
15	M6×P1.0×15L	Fixed screw	3
16	M6×P1.0×25L	Fixed screw	3
17	AN04	Check nut	1
18	AW04	Ratchet washer	1
19	251206	Bearing holding	1
20	B-3204	Ball bearing	1
21	251102	Saddle	1
22	MF25213	Bearing base	1
23	MF25211	Ballscrew	1
24	MF25202	Micro feed housing	1
25	MF25408	Micro feed worm	1
26	B-7003	Ball bearing	2
27	MF25407M	Worm bearing base	1
28	AW03	Ratchet washer	1
29	AN03	Chuck nut	1
30	MF25409	Set ring	1
31	5×5×15L	Key	1
32	MF25210M	Micro feed dial	1
33	M12×P1.75	Fixed screw	1
34	M6×P1.0×12L	Fixed screw	3
35	B-187L075	Timing belt	1
36	251234	Timing belt pulley	1
37	1/5HP×6P	AC motor	1
38	M8×P1.25×12L	Fixed screw	3
39	251231	AH washer	1
40	5×5×20L	Key	1
41	251232	Timing belt pulley	1